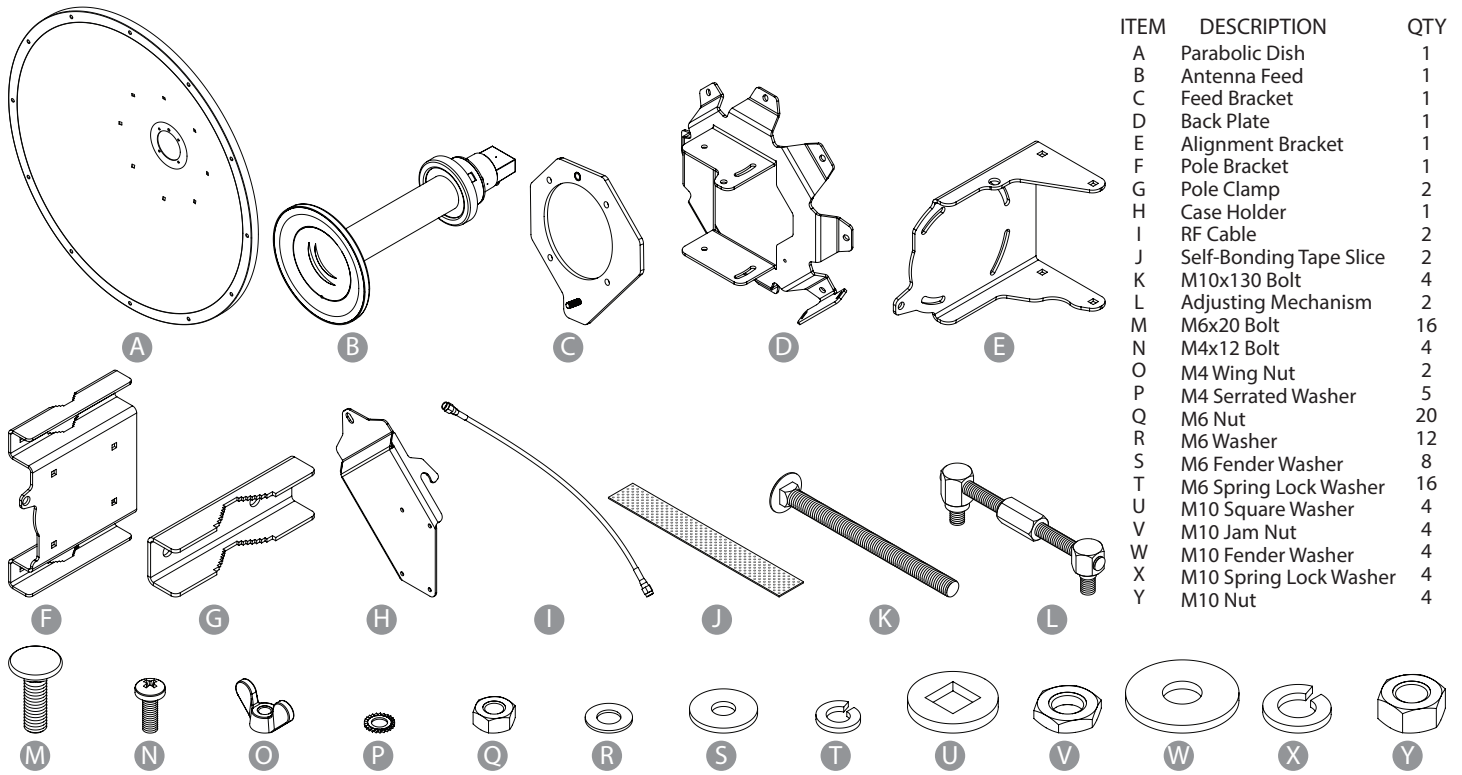


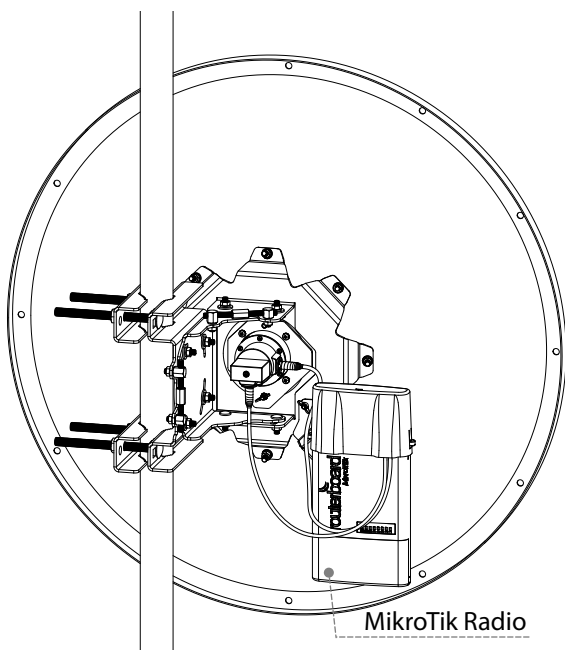
MikroTik Antenna D-5G-30D3-PA

Quick setup guide and warranty information

Package contents

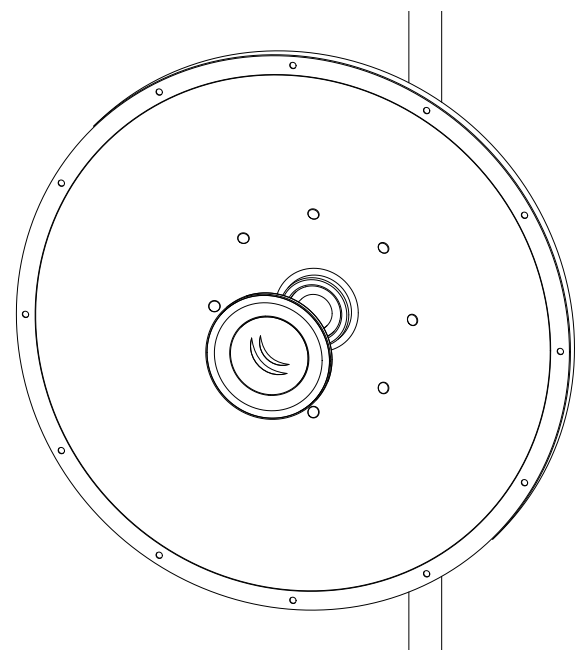


MikroTik Antenna assembly preview



MikroTik Antenna assembly preview back*

*The preview is valid if a MikroTik RB900 series outdoor device (sold separately) is installed.



MikroTik Antenna assembly preview front

Installation Guide

0. Items Required

- 10mm Wrench • 17mm Wrench • PH2 Screw Driver •
- This guide is written to be used with a MikroTik RB900 series outdoor device (sold separately) •

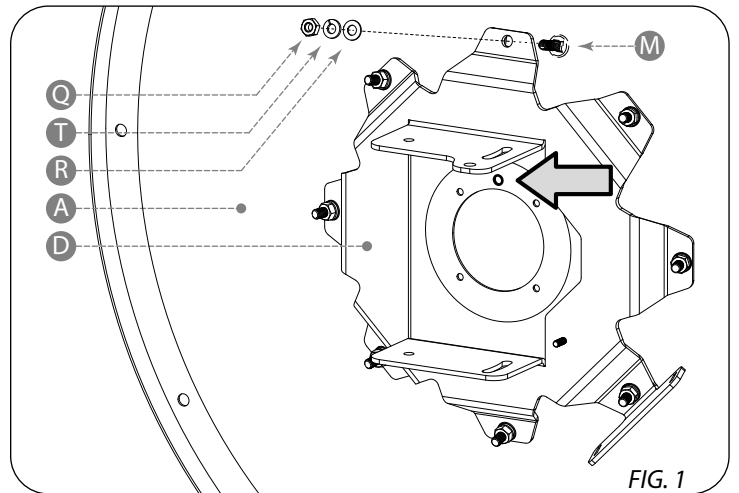
1. Install Back Plate to Parabolic Dish

Install Back Plate [D] to Parabolic Dish [A] using:

- [M] M6x20 Bolt x 8 pcs;
- [R] M6 Washer x 8 pcs;
- [T] M6 Spring Lock Washer x 8 pcs;
- [Q] M6 Nut x 8 pcs.

Important:

- Back Plate [D] must be aligned respectively to a bore in the Parabolic Dish [A] - see Fig. 1;
- M6 Nut [Q] tightening torque must be approximately 5 Nm.



2. Install Antenna Feed

Install Antenna Feed [B] to Parabolic Dish [A] using:

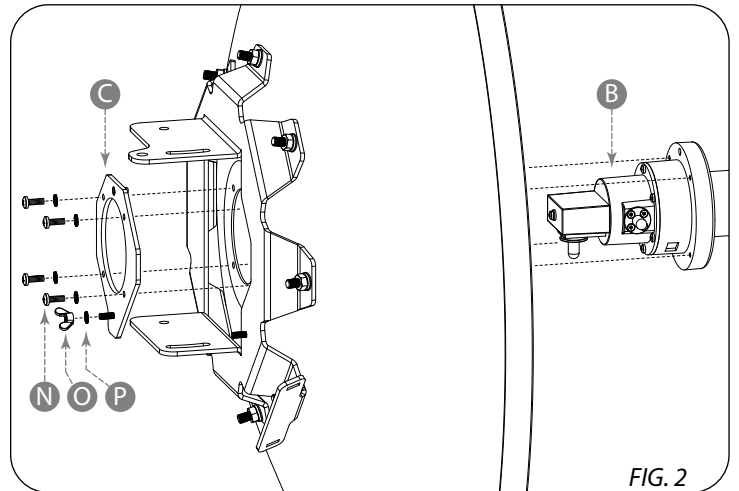
- [C] Feed Bracket x 1 pc;
- [N] M4x12 Bolt x 4 pcs;
- [P] M4 Serrated Washer x 4 pcs.

Install grounding fasteners:

- [O] M6 Wing Nut x 1 pc;
- [P] M4 Serrated Washer x 1 pc.

Important:

- Antenna Feed [B] and Feed Bracket [C] must be aligned respectively to the hole in the Parabolic Dish [A] - see Fig. 2;
- M4x12 Bolt [N] tightening torque must be approximately 2 Nm.



3. Assemble Alignment and Pole Brackets

Assemble Alignment [E] to Pole Bracket [F] using:

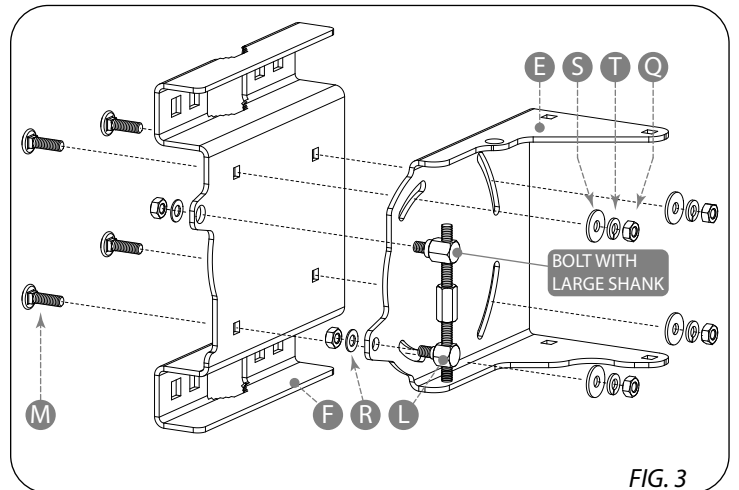
- [M] M6x20 Bolt x 4 pcs;
- [S] M6 Fender Washer x 4 pcs;
- [T] M6 Spring Lock Washer x 4 pcs;
- [Q] M6 Nut x 4 pcs.

Install Adjusting Mechanism [L] using:

- [R] M6 Washer x 2 pcs;
- [Q] M6 Nut x 2 pcs.

Important:

- Mount Alignment Mechanism's [L] bolt with larger shank diameter through the corresponding hole in the Pole Bracket [F] - see Fig. 3;
- Secure Alignment Mechanism [L] by tightening M6 Nuts [Q] to approximately 5 Nm;
- Do not tighten other fasteners firmly until step 10.



4. Assemble Brackets to Back Plate

Assemble Alignment [E] and Pole Bracket [F] to Back Plate [D] using:

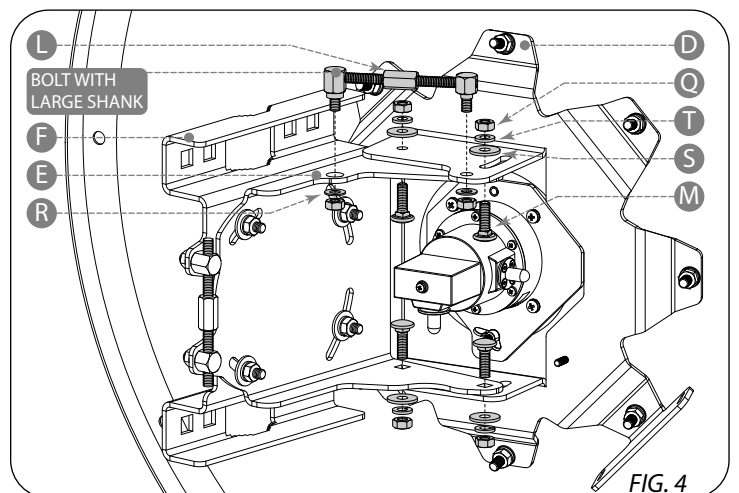
- [M] M6x20 Bolt x 4 pcs;
- [S] M6 Fender Washer x 4 pcs;
- [T] M6 Spring Lock Washer x 4 pcs;
- [Q] M6 Nut x 4 pcs.

Install Adjusting Mechanism [L] using:

- [R] M6 Washer x 2 pcs;
- [Q] M6 Nut x 2 pcs.

Important:

- Mount Alignment Mechanism's [L] bolt with larger shank diameter through the corresponding hole in the Alignment Bracket [E] - see Fig. 4;
- Secure Alignment Mechanism [L] by tightening M6 Nuts [Q] to approximately 5 Nm;
- Do not tighten other fasteners firmly until step 9.



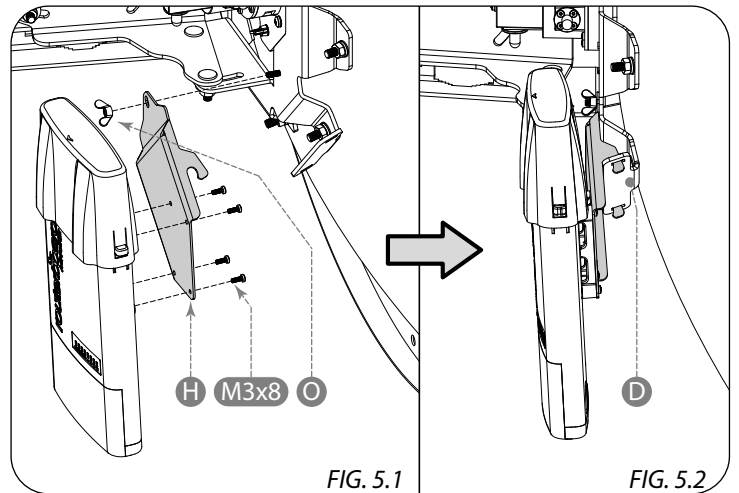
5. Attach MikroTik Radio to Back Plate

Attach a MikroTik RB900 series outdoor device to Case Holder [H] using:
[-] M3x8 Bolt x 4 pcs (Comes with MikroTik Radio) - see Fig. 5.1.

Attach Case Holder [H] to Back Plate [D] by fitting Case Holder's hinges into the Back Plate's flange - see Fig. 5.2. Secure Case Holder using:
[O] M4 Wing Nut x 1 pc.

Important:

- M3x8 Bolt [-] tightening torque must be approximately 1.5 Nm.



6. Install RF Cables

Remove the cover from MikroTik Radio and install the RF Cables [I]. Connect vertical polarization (arrow V) to CH0, horizontal polarization (arrow H) to CH1 - see Fig. 6.

Insulate the RF Cable [I] ends which are connected to Antenna Feed [B] by using: [J] Self-Bonding Tape Slice x 2pcs.

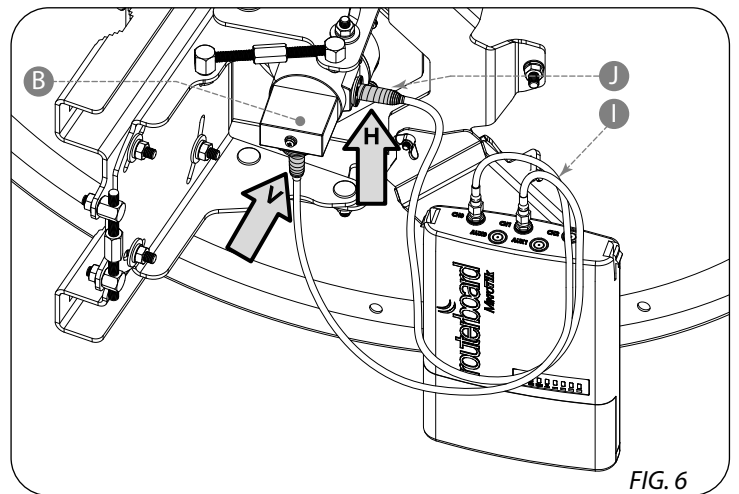
- Remove the plastic liner from both sides;
- Stretch the tape to 2/3 of its width;
- Apply half-lapped layers clockwise.

The RF Cable [I] ends which are connected to MikroTik Radio are insulated by the cover.

Fit back the MikroTik Radio cover.

Important:

- RF Cables [I] connector tightening torque must be approximately 0.5 Nm.



7. Install Pole Fasteners

Determine the pole diameter which MikroTik Antenna will be attached to.

- If the pole diameter is less than 60mm (2.375") use the hole pattern from Fig. 7.1 to install the M10x130 Bolts [K];
- If the pole diameter is 60 - 100mm (max) use the hole pattern from Fig. 7.2.

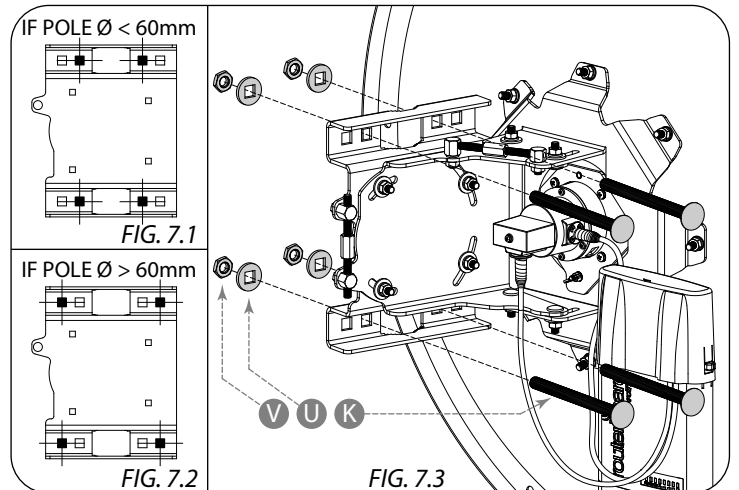
Install M10x130 Bolt [K] x 4 pcs using:

[U] M10 Square Washer x 4 pcs;

[V] M10 Jam Nut x 4 pcs.

Important:

- M10 Jam Nut [V] tightening torque must be approximately 4 Nm.



8. Attach Antenna to Pole

MikroTik Antenna is design to fit the pole diameter up to 100mm (3.9").

Attach MikroTik Antenna to pole as shown in Fig. 8 using:

[G] Pole Clamp x 2 pcs;

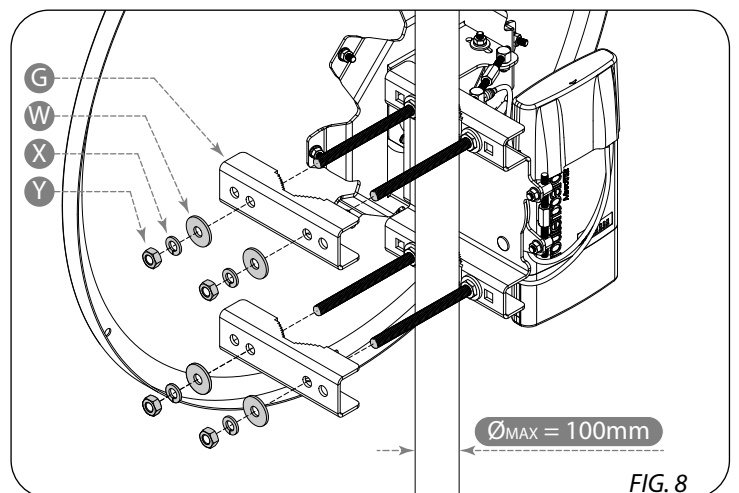
[W] M10 Fender Washer x 4 pcs;

[X] M10 Spring Lock Washer x 4 pcs;

[Y] M10 Nut x 4 pcs.

Important:

- M10 Nuts [Y] tightening torque must be approximately 25 Nm.



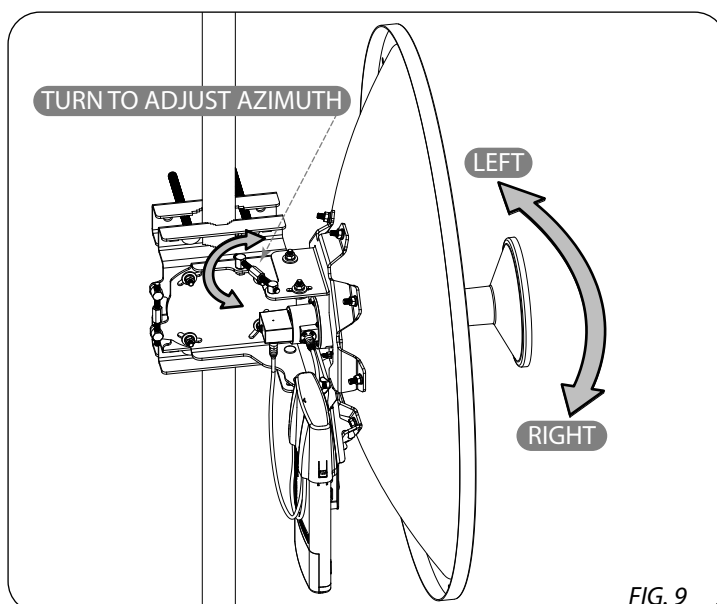
9. Adjust Azimuth

Turn Alignment Mechanism [L] to precisely adjust the azimuth - see Fig. 9.

After setting the azimuth, tighten firmly the corresponding fasteners - see Fig. 4.

Important:

- M6 Nuts [Q] tightening torque must be approximately 7 Nm.



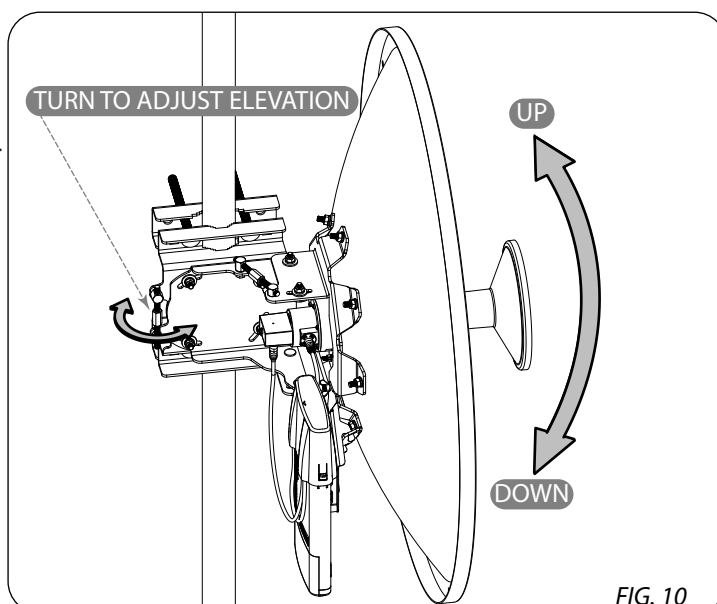
10. Adjust Elevation

Turn Alignment Mechanism [L] to precisely adjust the elevation - see Fig. 10.

After setting the elevation, tighten firmly the corresponding fasteners - see Fig. 3.

Important:

- M6 Nuts [Q] tightening torque must be approximately 7 Nm.



Copyright and Warranty information

Copyright MikroTiks SIA. This document contains information protected by copyright law. No part of it may be reproduced or transmitted in any form without prior written permission from the copyright holder. RouterBOARD, RouterOS, RouterBOOT and MikroTik are trademarks of MikroTiks SIA. All trademarks and registered trademarks appearing in this document are the property of their respective holders.

Hardware. MikroTik warrants all RouterBOARD series equipment for the term of twelve (12) months from the shipping date to be free of defects in materials and workmanship under normal use and service, except in case of damage caused by mechanical, electrical or other accidental or intended damages caused by improper use or due to wind, rain, fire or other acts of nature.

To return failed units to MikroTik, you must perform the following RMA (Return Merchandise Authorization) procedure. Follow the instructions below to save time, efforts, avoid costs, and improve the speed of the RMA process.

1. If you have purchased your product from a MikroTik Reseller, please contact the Reseller company regarding all warranty and repair issues, the following instructions apply ONLY if you purchased your equipment directly from MikroTik in Latvia.
2. MikroTik does not offer repairs for products that are not covered by warranty. Exceptions can be made for: CCR1016-12G, CCR1016-12G-BU, CCR1036-12G-4S, RB1100, RB1100AH, RB1100AHx2, RB1200, RB600, RB600A and RB800 as a paid service (fees apply).
3. Out-of-warranty devices and devices not covered by warranty sent to MikroTik will be returned to the sender at sender's cost. If the customer has not organized return of such rejected devices within 12 months from the day of arrival, MikroTik has the right to discard them.

RMA Instructions are located on our webpage here: <http://rma.mikrotik.com>

This document is provided "as is" without a warranty of any kind, expressed or implied, including, but not limited to, the implied warranty of merchantability and fitness for a particular purpose. The manufacturer has made every effort to ensure the accuracy of the contents of this document, however, it is possible that it may contain technical inaccuracies, typographical or other errors. No liability is assumed for any inaccuracy found in this publication, nor for direct or indirect, incidental, consequential or other damages that may result from such an inaccuracy, including, but not limited to, loss of data or profits. Please report any inaccuracies found to support@mikrotik.com