

DS-1281ZJ-DM25-B

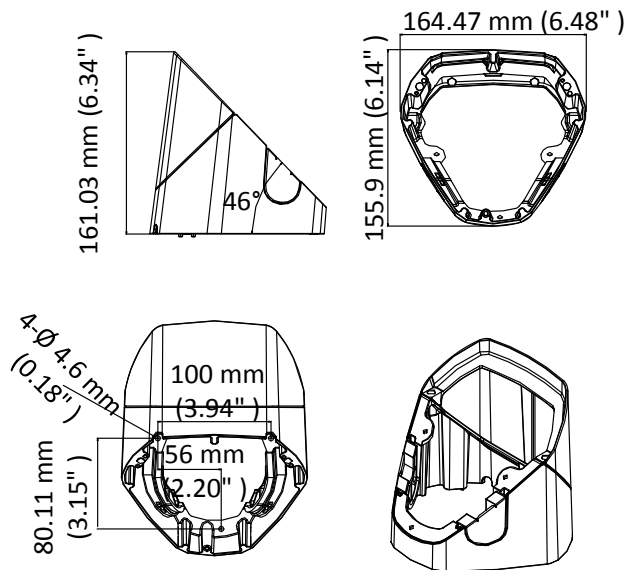
Inclined Ceiling Mount



Feature

- Aluminum alloy with surface spray treatment
- Cable hole design facilitates cable routing
- Applies to fish eye camera

Dimension



Available Model

DS-1281ZJ-DM25-B

Parameter

Model	DS-1281ZJ-DM25-B
Parameters	Inclined Ceiling Mount
Appearance	Hikvision White
Material	Aluminum Alloy
Dimension	155.9 mm × 164.47 mm × 161.03 mm (6.14" × 6.48" × 6.34")
Weight	Approx. 550 g (1.21 lb.)

Note

- The mount should be installed on the flat surface.
- The wall must be capable of supporting at least 3 times as much as the total weight of the camera, and the mount.
- The maximum load capacity of the mount is 3 kg (6.6 lb.).

0100001080522