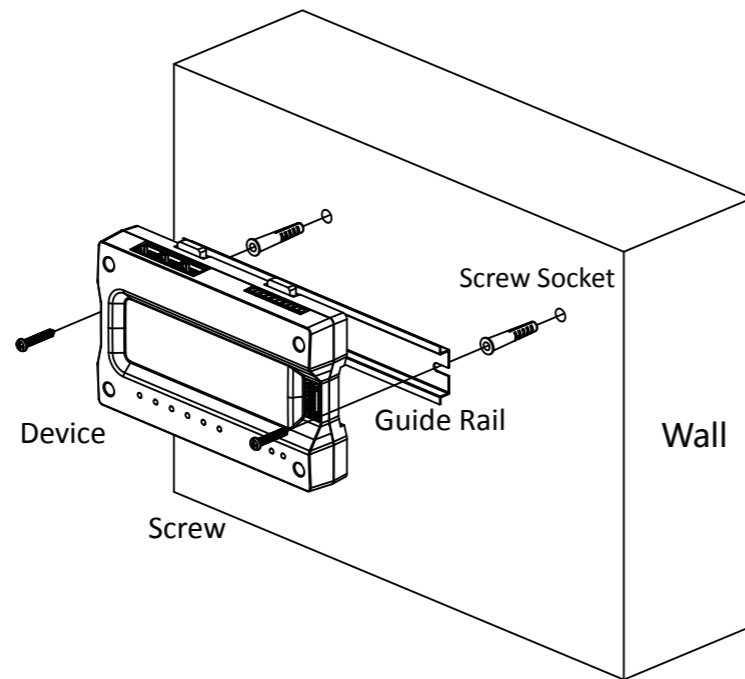




## 2 Installation

**Before you start:**

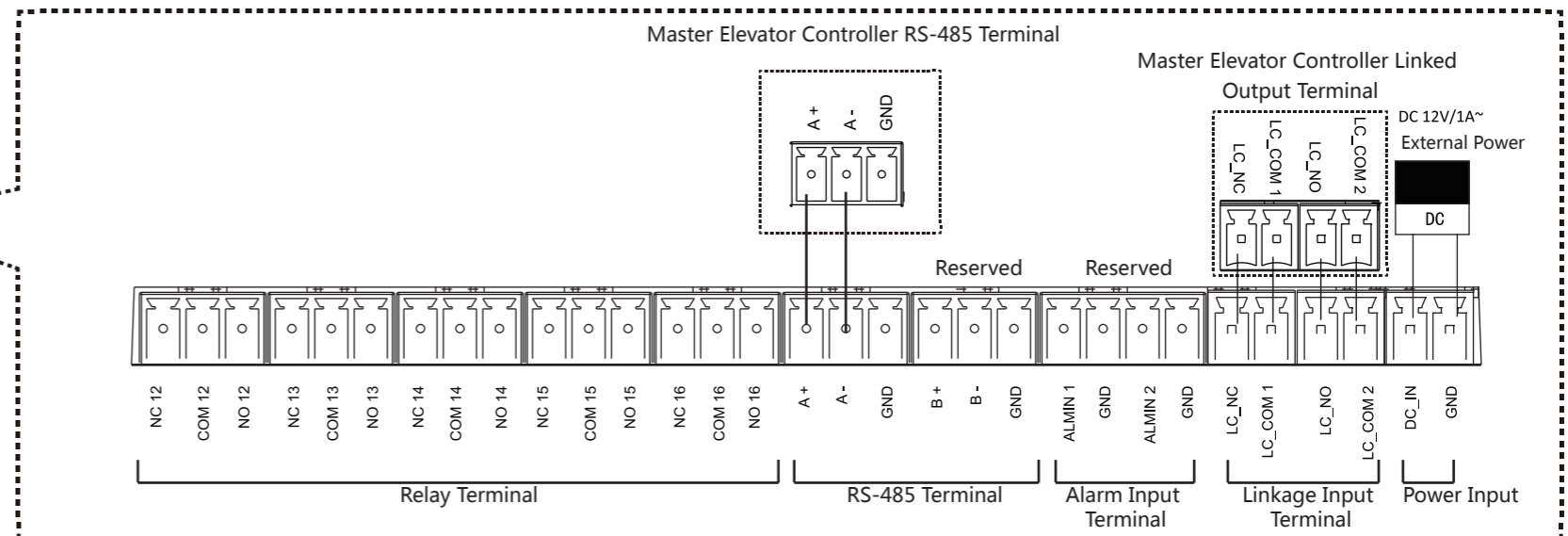
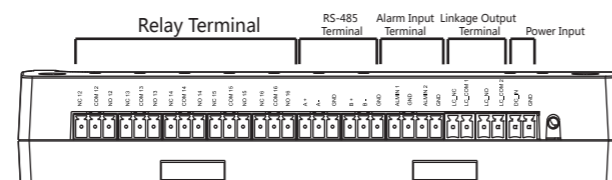
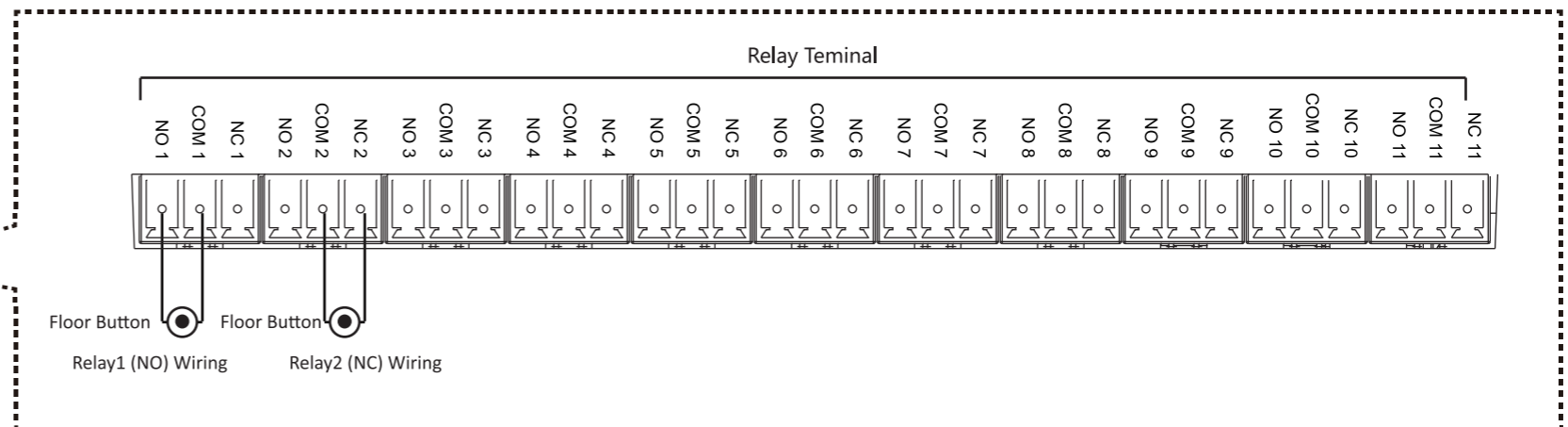
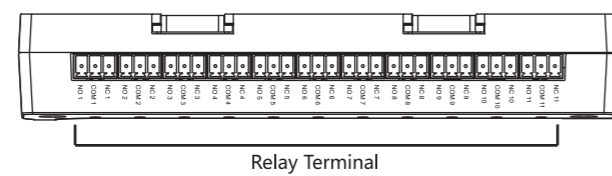
- The minimum bearing weight of the wall or other places should be three times heavier than the device weight.
- Dial-up before you install.



**Steps:**

1. Drill holes on the wall or other places according to the holes on the guide rail.
2. Insert the screw sockets of the set screws (supplied) in the drilled holes.
3. Secure the guide rail on the wall or other places with the screws (supplied).
4. Push the device to the guide rail and fix it.

## 3 Device Wiring



**Relay NO Wiring:** Wire the call elevator distributed controller and the call elevator relay, or wire the auto button distributed controller and the auto button relay to make sure the call elevator control and the auto button elevator control is invalid when powering off. The elevator will not stay between floors.

**Relay NC Wiring:** Wire the button distributed controller and the button relay to make sure all buttons are valid when powering off.