

Parabolic antenna JRA-28DD MIMO Precision

Dual-polarized parabolic antenna **JRA-28 Deep Dish MIMO Precision** is designed for directional links with MIMO mode at the frequency band 2,4 GHz. The antenna is designed for environments with multiple reflections for very long or medium distances in difficult conditions. **Its design with deep dish increases isolation among antennas on a mast and increases front to back ratio.**

Electrical parameters:

Frequency range	2.3 – 2.7 GHz
Gain	27.6 ± 1 dBi
Cable loss	0,75 dB
VSWR <small>2,4 – 2,5 GHz</small>	≤ 1.4 (rest of freq. range ≤ 1.7)
Beamwidth <small>-3 dB</small>	7°
Front to Back ratio	≥ 44 dB
Polarization	Linear, vertical/horizontal or 2x45°
Fine setting polarization	± 5°

Mechanical parameters:

Parabola	Ø 1200 mm, Aluminium alloy
Radome	UV steady plastic ABS
Type of connector	R-SMA on cable
Installation for mast	Ø 80 - 120 mm Ø 60 - 80 mm <small>with adjustable wind bracing set</small>
Operating wind load	110 km/h (68 mph) <small>without wind bracing set</small> 140 km/h (87 mph) <small>with wind bracing set</small>
Survival wind load	210 km/h (131 mph)
Weight of antenna	29 kg 64 lbs.)
Shipping dimensions – 1pc	1310 x 740 x 1440 mm/66.5 kg (147 lbs.)
Shipping dimensions – 2pcs	1310 x 1100 x 1440 mm/102 kg (225 lbs.)

Parabolic antenna JRA-28DD MIMO Precision

Usage:

The antenna can be used in combination with holder **GentleCLIP** for easy installation of devices with the clipped system.

The antenna is supplied together with a massive holder that allows easy mounting on a mast. Holder can be installed separately on the mast. Subsequently, the antenna can be simply hung up into it.

Antenna holder allows fine setting elevation $\pm 15^\circ$ and azimuth $\pm 7^\circ$. Ready for right and left side mounting.

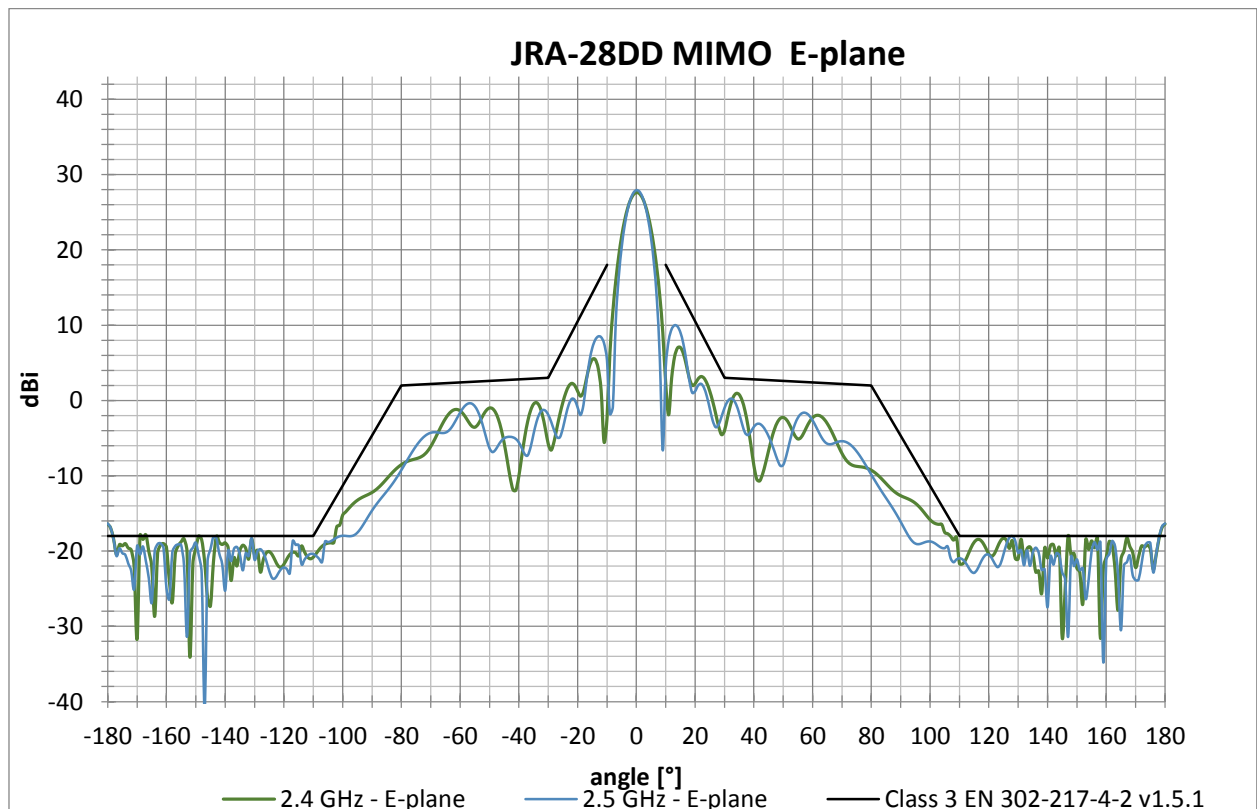
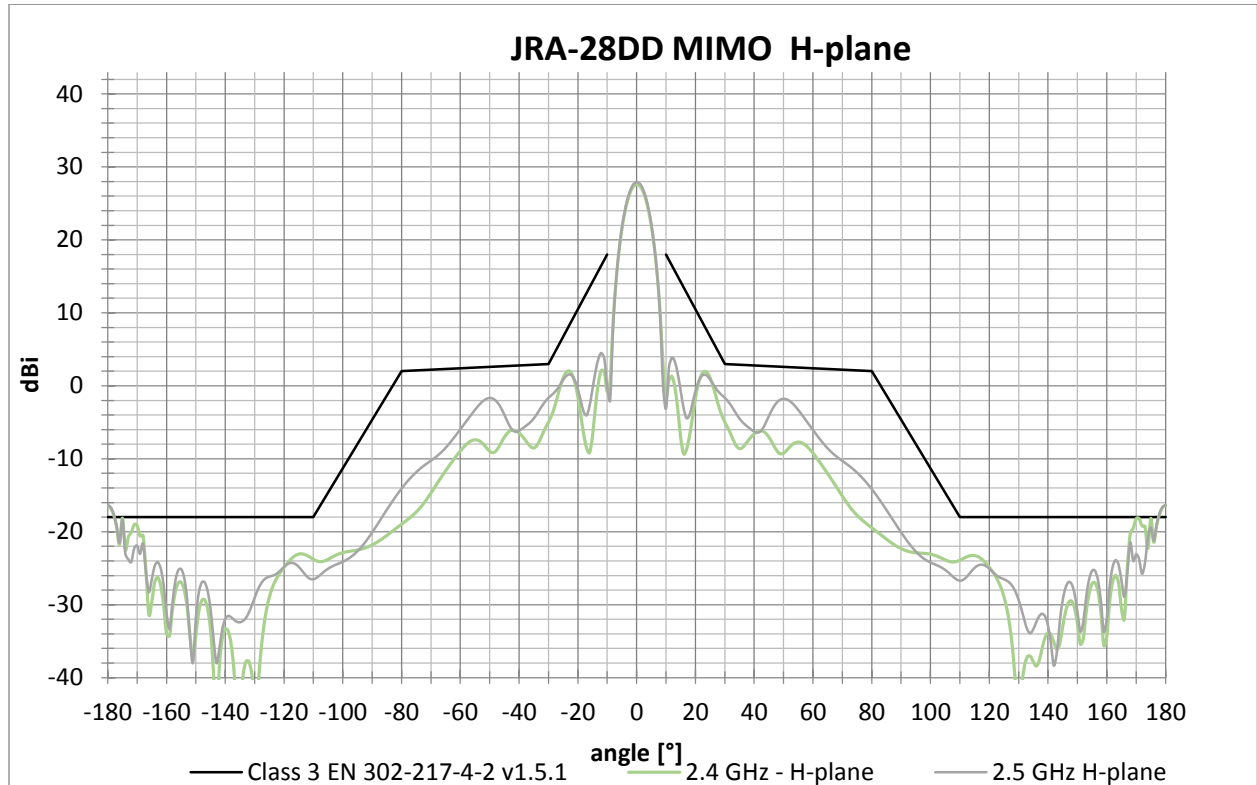
In the areas with the expected occurrence of the strong winds the usage of the (adjustable) wind bracing set is recommended. For mounting on the **mast \varnothing 60 – 80 mm** the usage of the **(adjustable) wind bracing set** is strongly recommended.

The usage of adjustable wind bracing set allows to set azimuth more comfortably.

The **wind bracing set** or the **adjustable wind bracing set** are optional accessories.

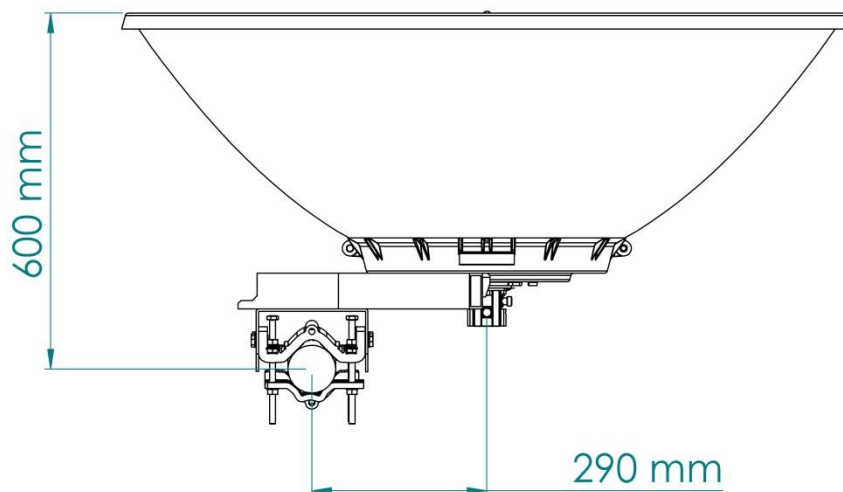
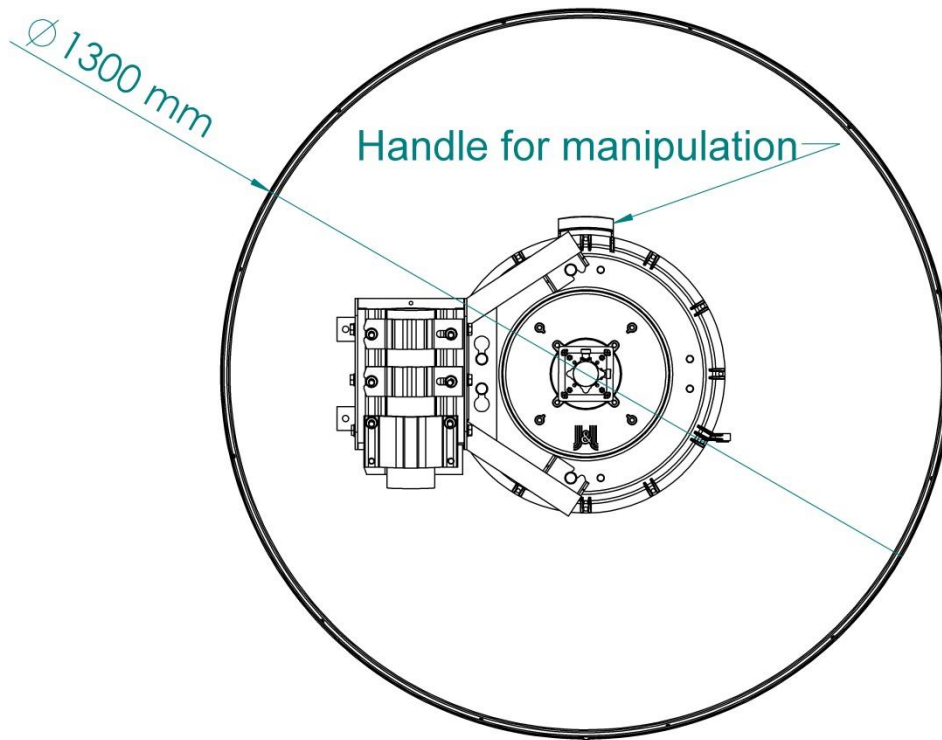
Parabolic antenna JRA-28DD MIMO Precision

Radiation pattern:

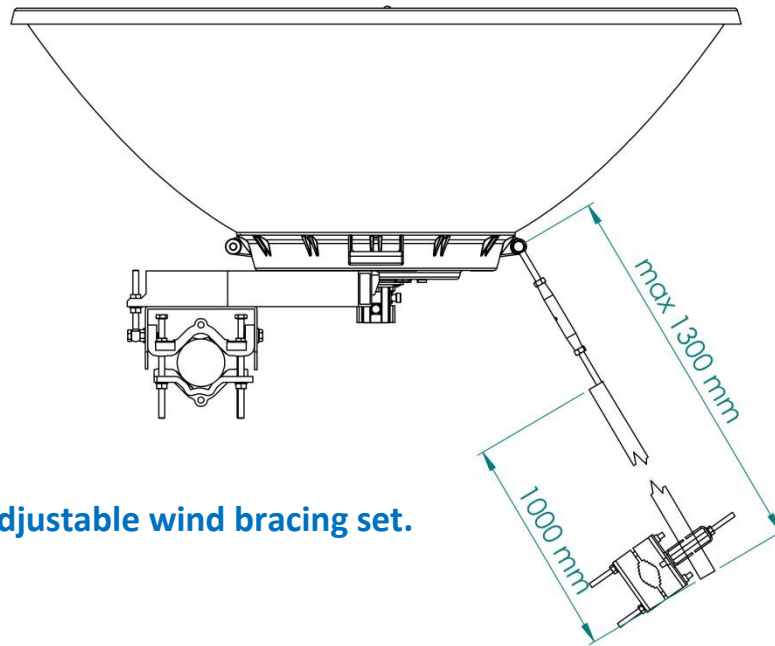


Parabolic antenna JRA-28DD MIMO Precision

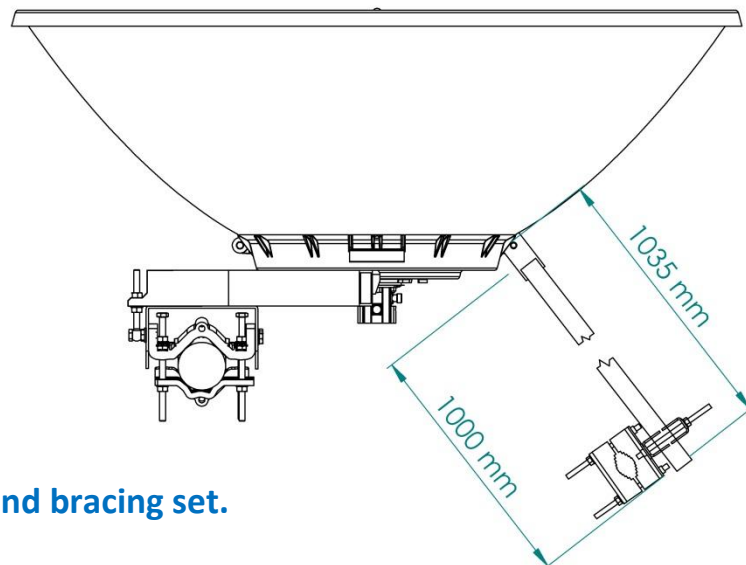
Outline:



Parabolic antenna JRA-28DD MIMO Precision



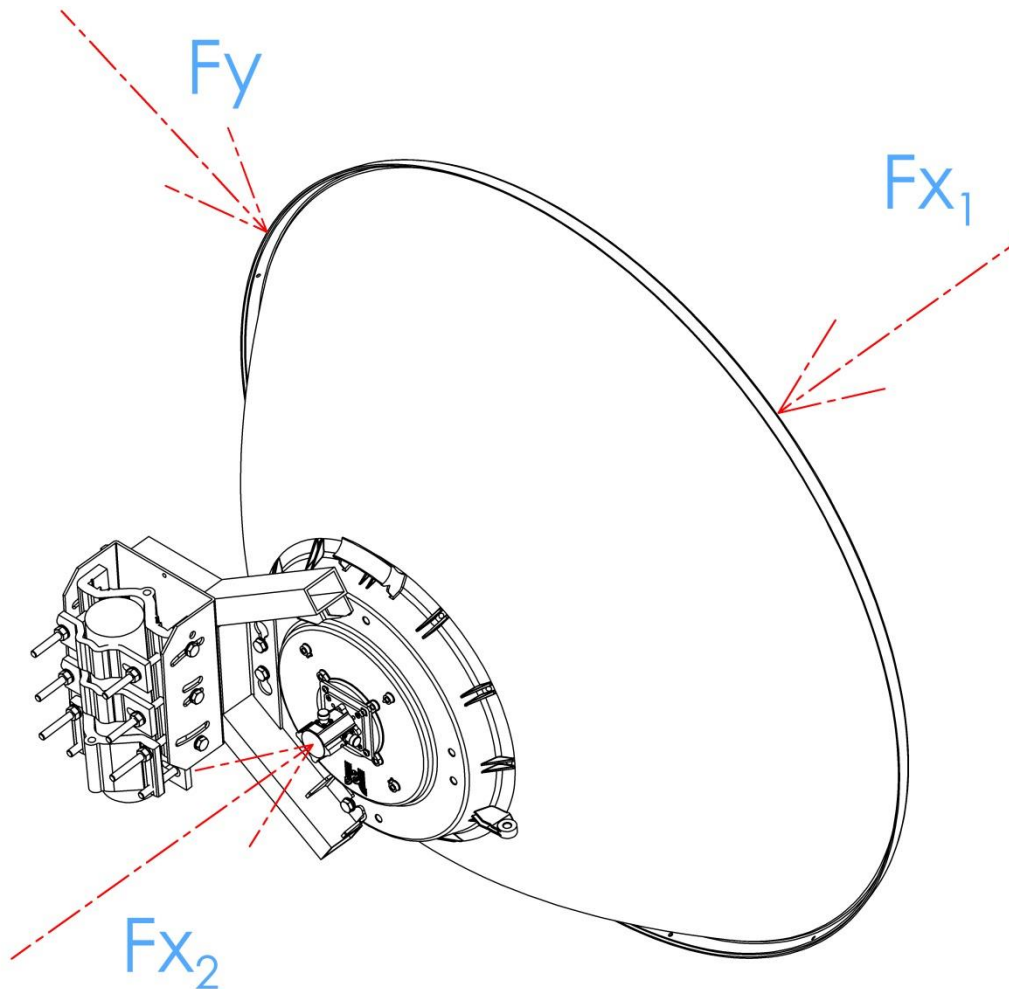
Antenna with adjustable wind bracing set.



Antenna with wind bracing set.

Parabolic antenna JRA-28DD MIMO Precision

Wind loading:



Wind Loading at 200 km/h [125 mph]

Direction	Force [N]	Force [lbf]
F_{x_1}	2696	606
F_{x_2}	2186	491.4
F_y	247	55.5