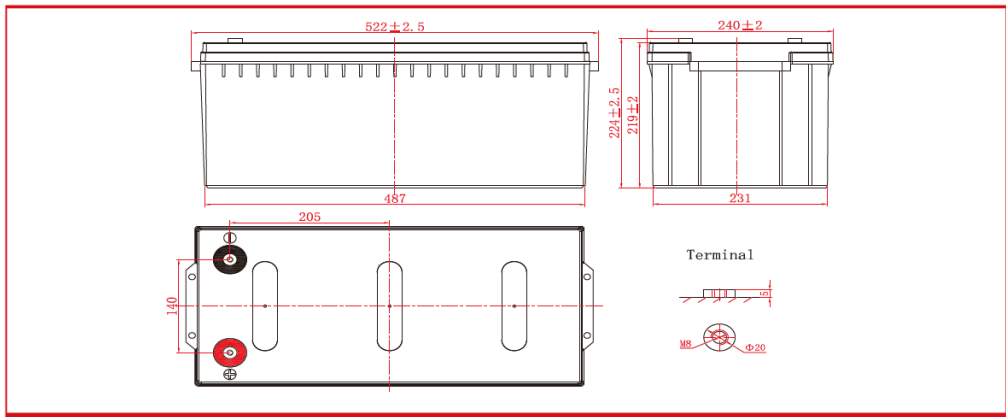




Maxlink batteries use high purity raw materials and low density electrolyte to make the batteries have good cycle performance and low self-discharge rate. It is suitable for UPS, solar & wind energy, telecom system, electric power system.

Cells per unit:	6
Voltage per unit:	12
Capacity:	200Ah @ 20hr-rate to 1.75V per cell @25°C (77°F)
Weight:	Approx. 58.5kg
Maximum discharge current:	2200A (5sec)
Internal resistance:	Approx. 3.2 mΩ
Operating temperature range:	Discharge -15°C ~ 50°C
	Charge -15°C ~ 40°C
	Storage -15°C ~ 40°C
Nominal operating temp. range:	25°C +/- 3°C
Float charging voltage:	13.5 to 13.8VDC / unit, average at 25°C
Recommended max. charging current limit:	50A
Equalization and cycle service:	14.4 to 15VDC / unit, average at 25°C
Self discharge:	Can be stored for more than 6 months at 25°C, please charge batteries before using.
Connector:	2x M8
Battery Dimensions:	219 x 522 x 240 mm +/- 2.5mm



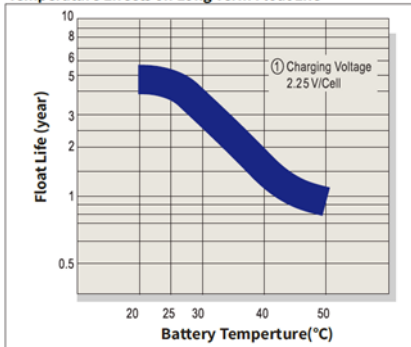
(A) 25°C Constant Current Discharge

F.V/Time	30min	1h	2h	3h	5h	10h	20h
1.60V	211	127	80.2	53.6	35.9	20.5	10.9
1.67V	207	126	79.0	53.0	35.6	20.5	10.9
1.70V	204	124	78.2	52.8	35.4	20.4	10.9
1.75V	197	120	75.6	51.8	34.9	20.3	10.8
1.80V	188	115	72.4	49.8	33.9	20.0	10.6
1.85V	176	107	67.1	45.8	31.5	19.2	10.3

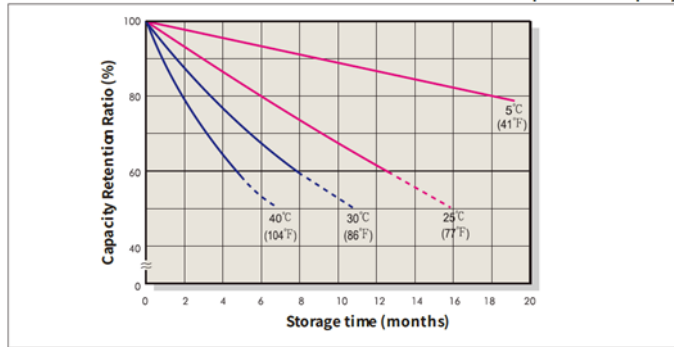
(W/cell) 25°C Constant Power Discharge

F.V/Time	30min	1h	2h	3h	5h	10h	20h
1.60V	399	242	152	106	70.0	40.3	21.5
1.67V	393	239	151	105	69.8	40.2	21.4
1.70V	388	237	149	104	69.6	40.1	21.3
1.75V	376	233	146	102	68.6	39.9	21.1
1.80V	359	224	141	98.2	66.8	39.3	20.9
1.85V	335	212	133	91.2	62.8	38.0	20.3

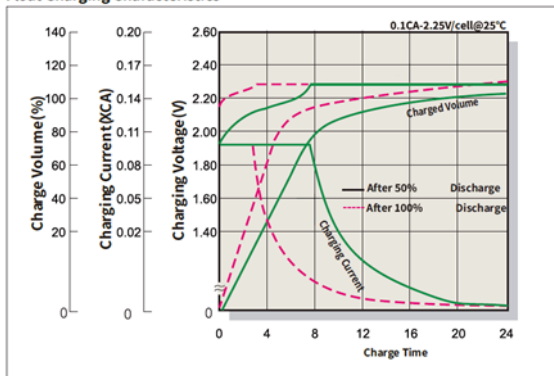
Temperature Effects on Long Term Float Life



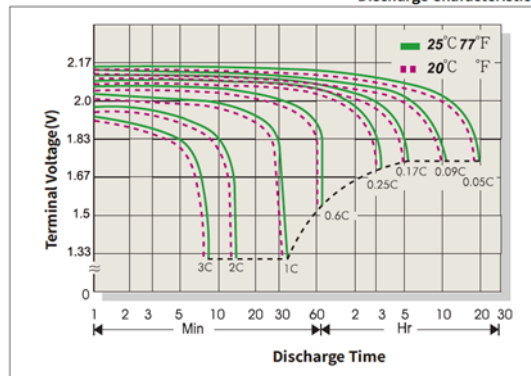
The effect of temperature on capacity



Float Charging Characteristics



Discharge Characteristics



The effect of temperature on capacity(20HR)

Temperature	Capacity(20HR)
40°C	102%
25°C	100%
0°C	85%
-15°C	65%

Self-discharge characteristics

Storage time	The remaining capacity
3 months	91%
6 months	82%
12 months	64%