



Symmetrical Horn Antenna WB

User Guide

SH30WB, SH60WB, SH90WB



Installation Video



If you need further assistance, reach out to us on our webpage or on social media.

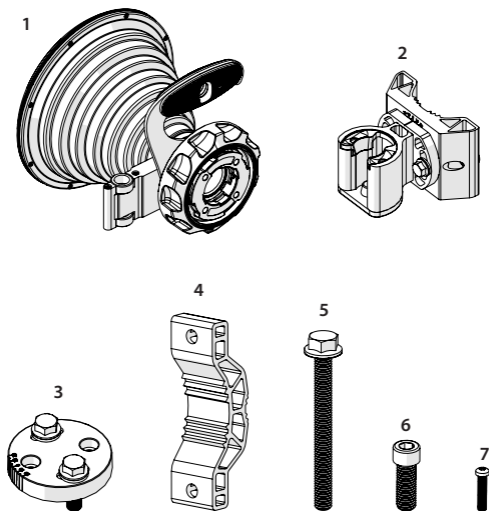
Symmetrical Horn WB

Contents

Symmetrical Horn Antenna WB - English User Guide.....	3
---	---



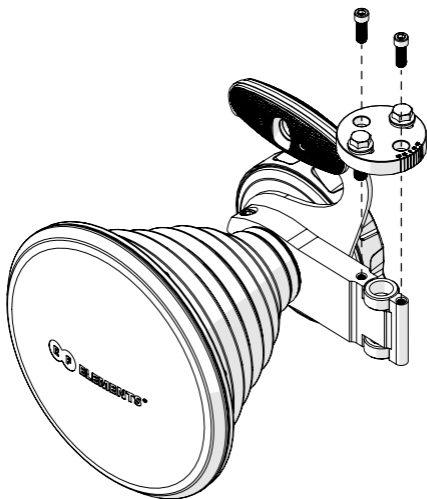
Package Contents



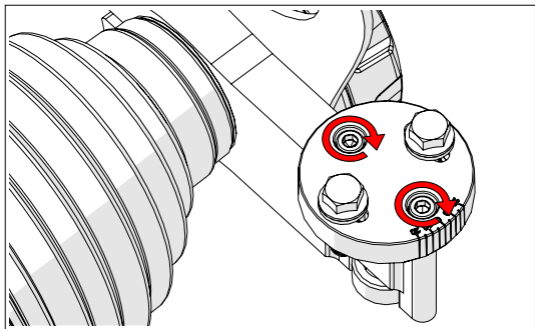
Number	Description	Quantity
1	SH WB Body	1x
2	Bracket Base UBR	1x
3	Bracket Ring UBR	1x
4	Pole Mount Bracket	1x
5	M8 x 80 mm DIN 912 Screw	2x
6	M6 x 20 mm DIN 6921 Screw	2x
7	3 x 16 mm Lock Screw	1x

Model SH30WB shown. Package Contents are identical for other Symmetrical Horn models. Antenna dimensions may differ.

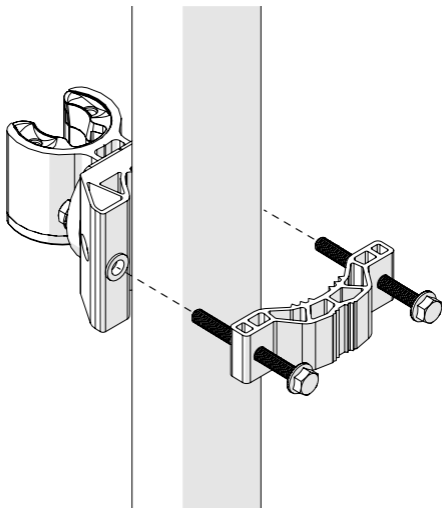
Installation Guide



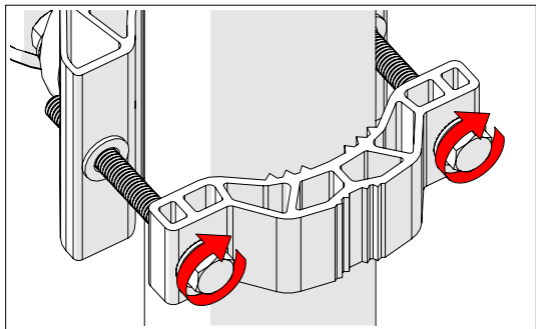
Use 5 mm Hex Key when assembling the Bracket Ring UBR



Installation Guide

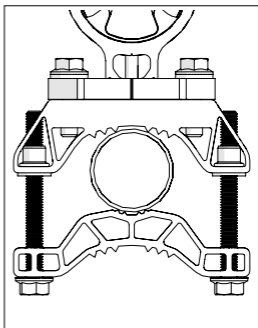
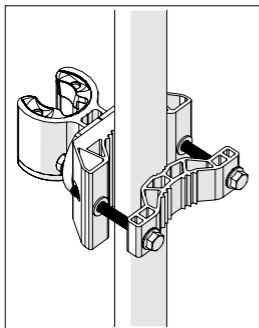


Use 13 mm Ratchet Wrench when assembling the Bracket.

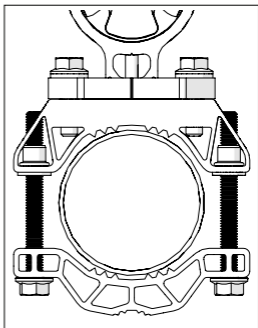
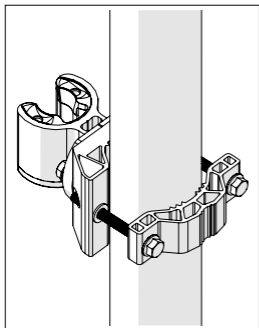


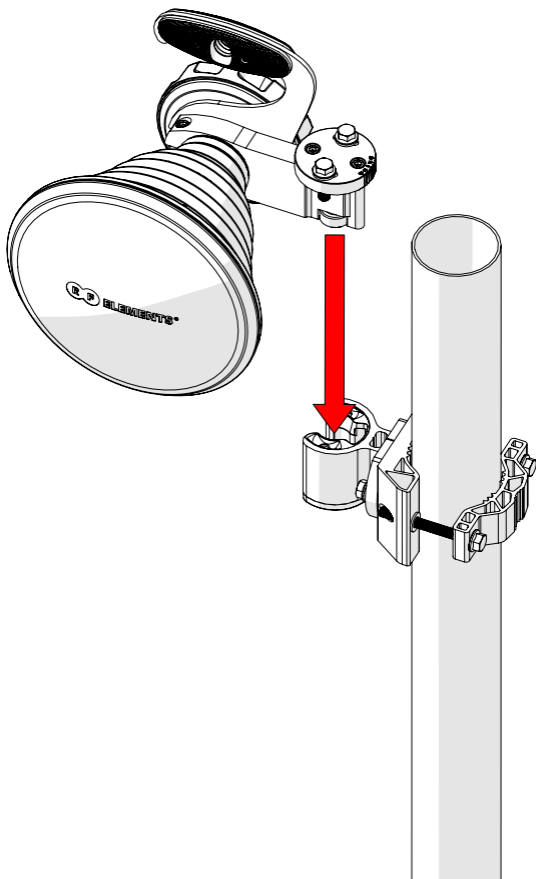
Installation Guide

Install the Pole Mount Bracket as shown for pole diameter range **40 - 57 mm**.

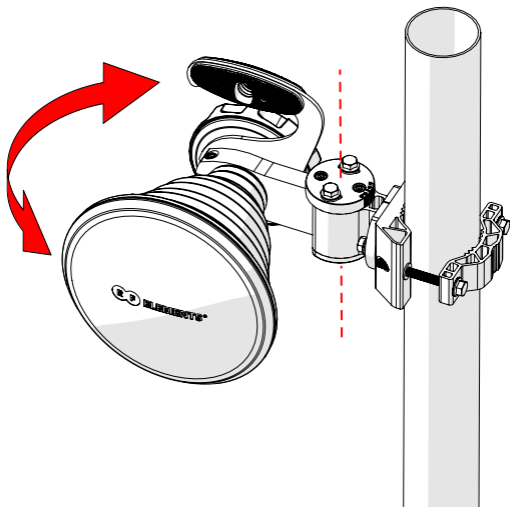


Install the Pole Mount Bracket as shown for pole diameter range **58 - 80 mm**.

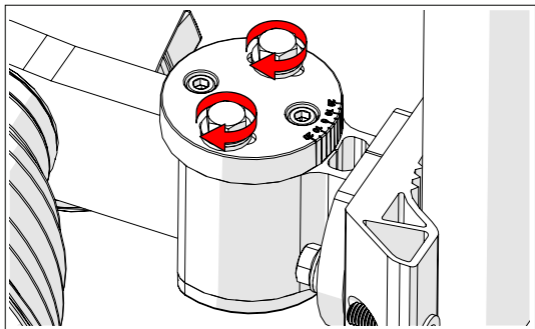




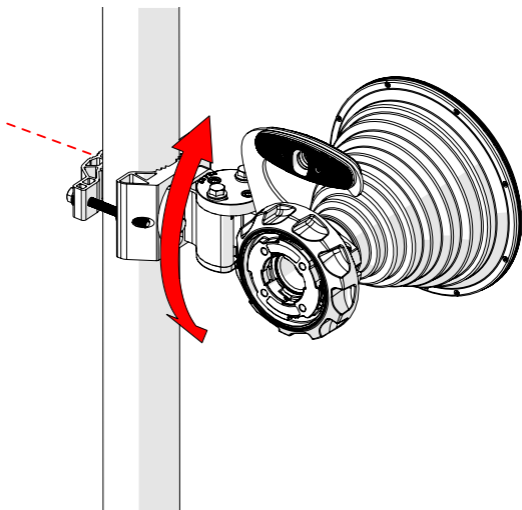
Installation Guide



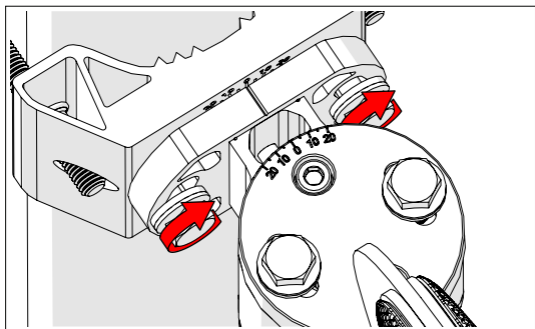
Use 13 mm Ratchet Wrench when tightening the azimuth bolts.



Installation Guide

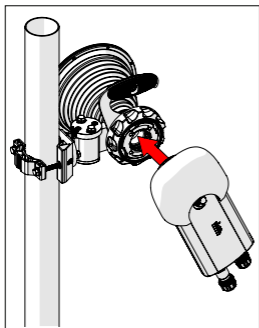


Use 13 mm Ratchet Wrench when tightening the elevation bolts.

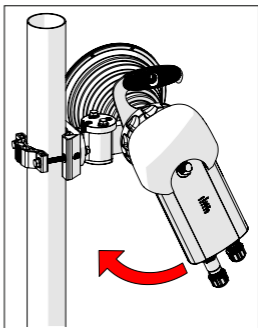


Radio Installation Guide

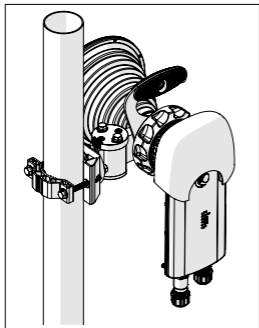
1



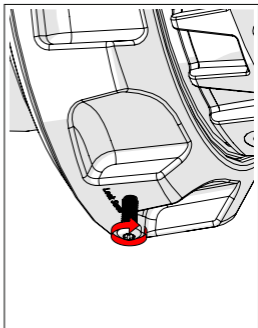
2



3



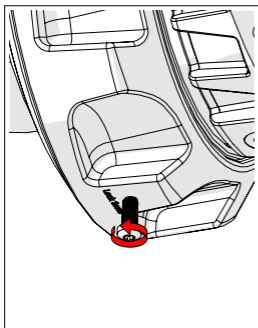
4 **Optional:** Install the 3 x 16 locking screw.



Tighten the locking screw to secure the TwisPort™ lock mechanism.

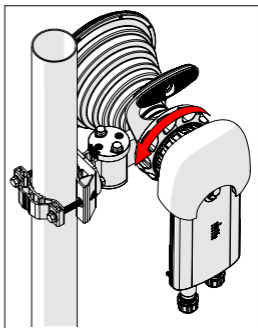
Radio Uninstallation Guide

1 If the locking screw was used,

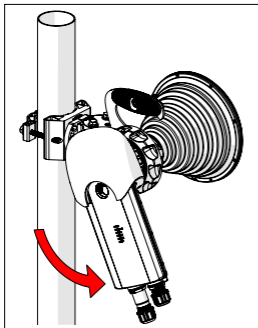


unscrew it by about 10 mm before unlocking the TwisPort™ mechanism.

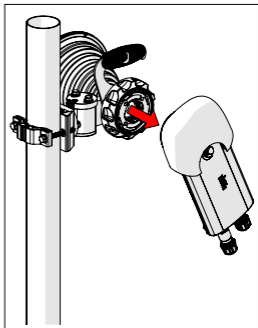
2



3



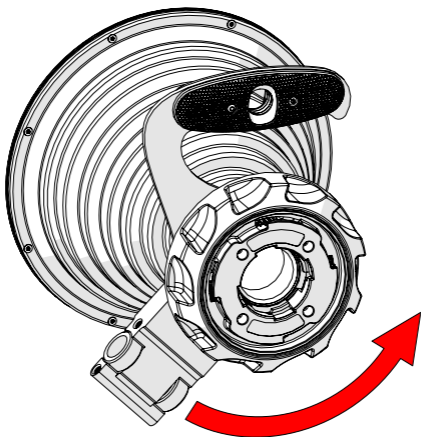
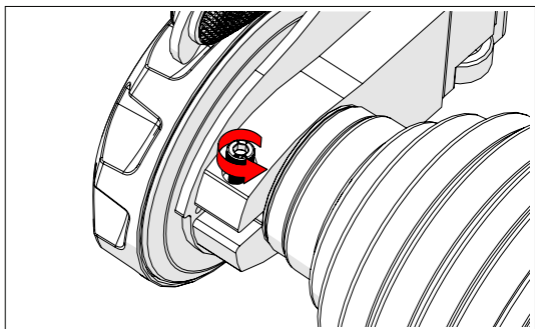
4



Pre - Installation

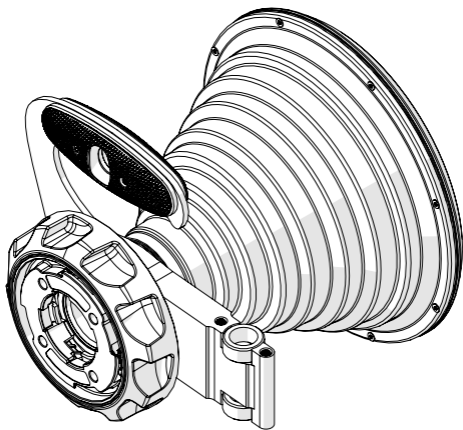
Optional: Left side of the pole mounting.

Use 5 mm Hex Key to enable the Bracket

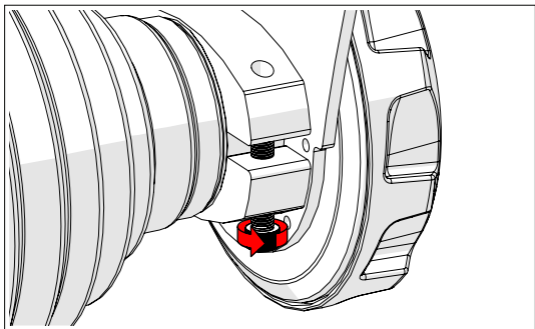


Pre - Installation

Optional: Left side of the pole mounting.

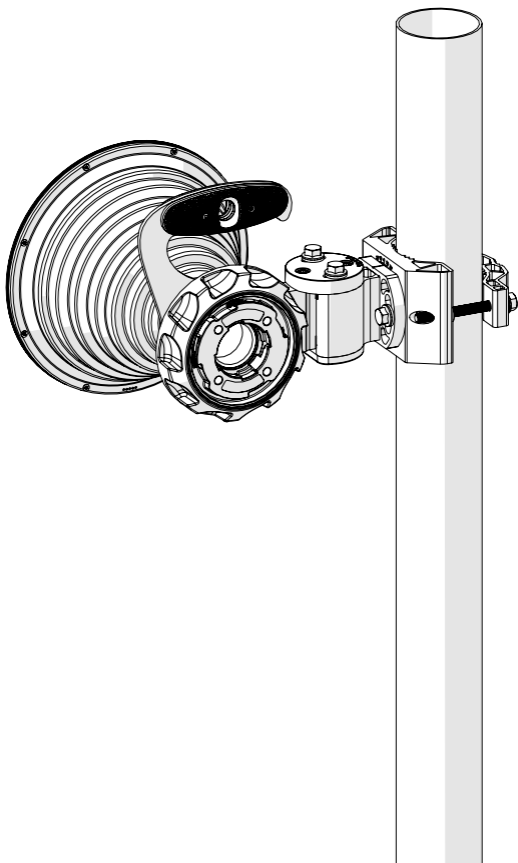


Use 5 mm Hex Key to secure the Bracket in position.



Pre - Installation

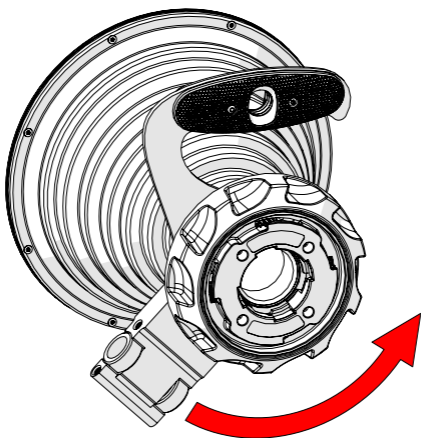
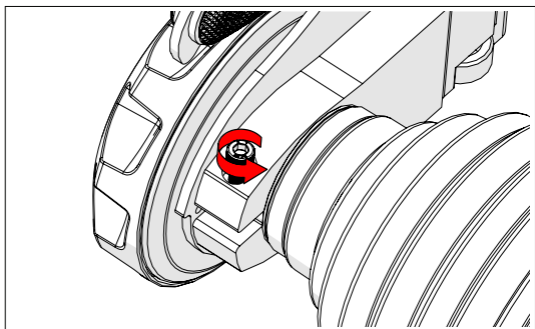
Optional: Left side of the pole mounting.



Pre - Installation

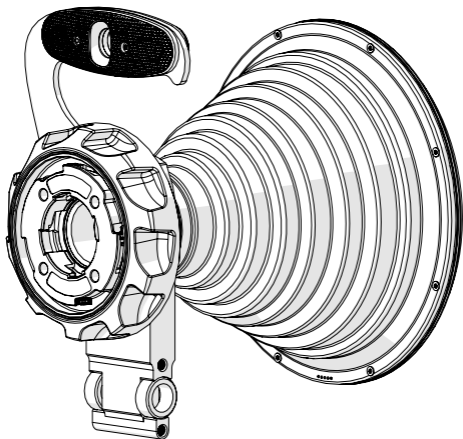
Optional: Horizontal pole mounting.

Use 5 mm Hex Key to enable the Bracket

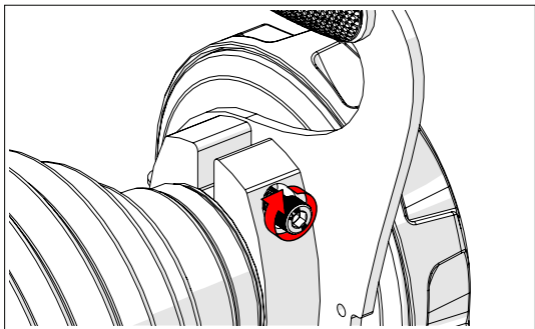


Pre - Installation

Optional: Horizontal pole mounting.

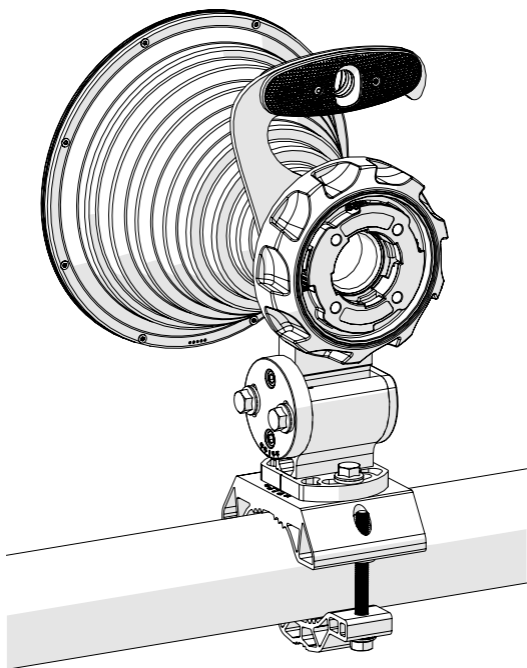


Use 5 mm Hex Key to secure the Bracket in position.



Pre - Installation

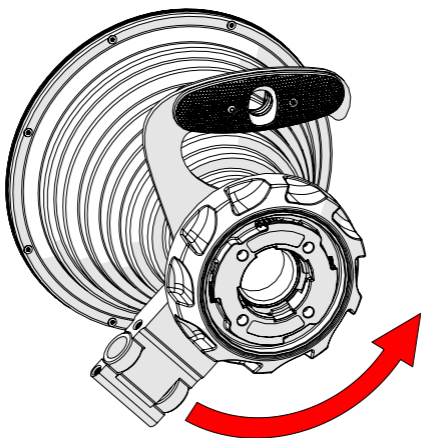
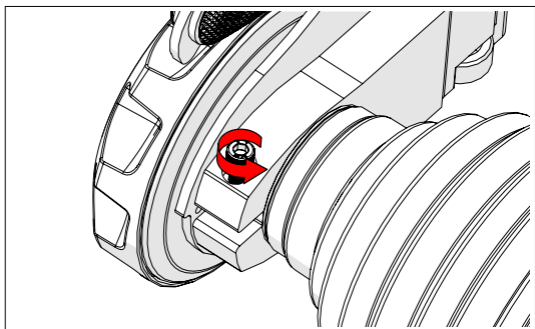
Optional: Horizontal pole mounting.



Pre - Installation

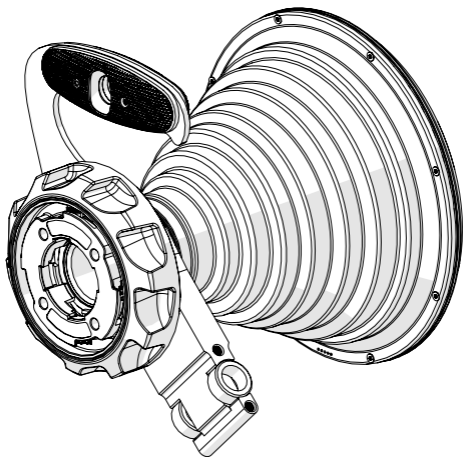
Optional: Dual Slant $\pm 45^\circ$ on the left side of the pole mounting.

Use 5 mm Hex Key to enable the Bracket

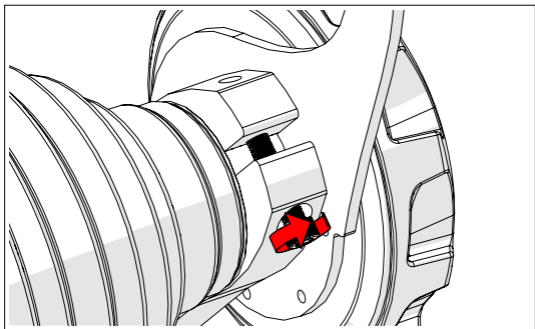


Pre - Installation

Optional: Dual Slant $\pm 45^\circ$ on the left side of the pole mounting.

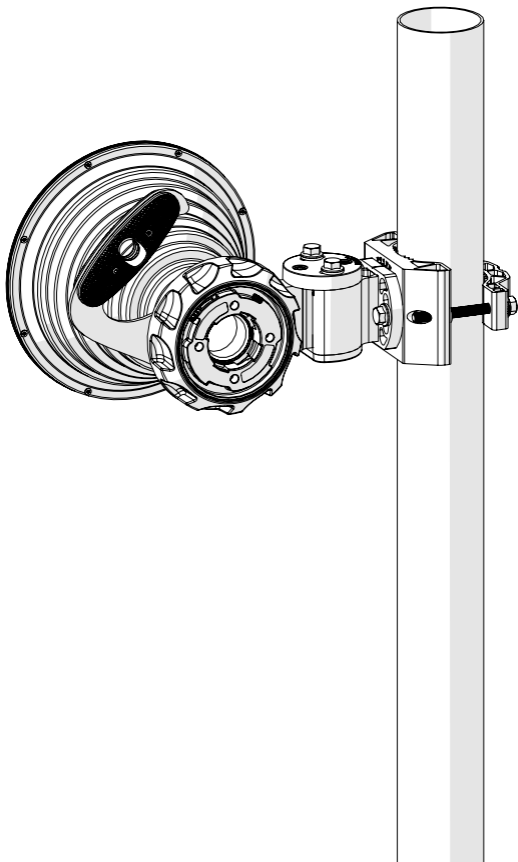


Use 5 mm Hex Key to secure the Bracket in position.



Pre - Installation

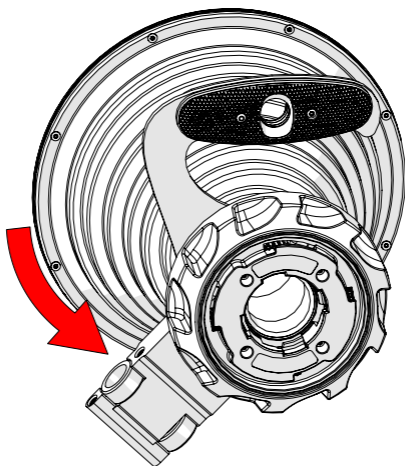
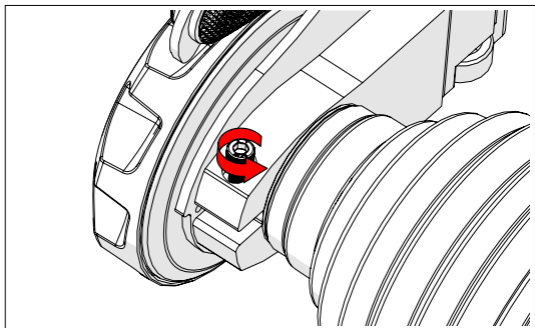
Optional: Dual Slant $\pm 45^\circ$ on the left side of the pole mounting.



Pre - Installation

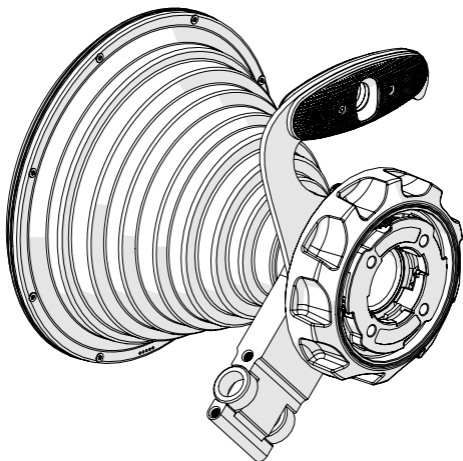
Optional: Dual Slant $\pm 45^\circ$ on the right side of the pole mounting.

Use 5 mm Hex Key to enable the Bracket

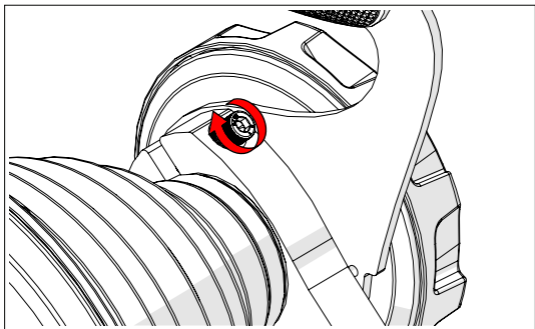


Pre - Installation

Optional: Dual Slant $\pm 45^\circ$ on the right side of the pole mounting.

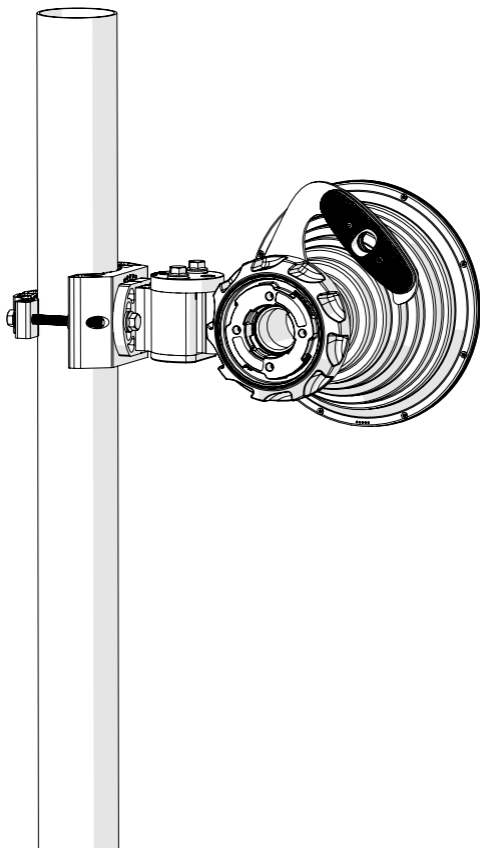


Use 13 mm Ratchet Wrench when assembling the Bracket.



Pre - Installation

Optional: Dual Slant $\pm 45^\circ$ on the right side of the pole mounting.



RF elements®, TwistPort™ and SIMPER™ are trademarks
of RF elements s.r.o., Slovakia.
All rights of trademark owners reserved.



RF elements s.r.o.
+421 2 7333 7733
info@rfelements.com
www.rfelements.com