

iDS-7204HUHI-M1/PXT 4-ch 5 MP 1U H.265 AcuSense PoC DVR



Key Feature

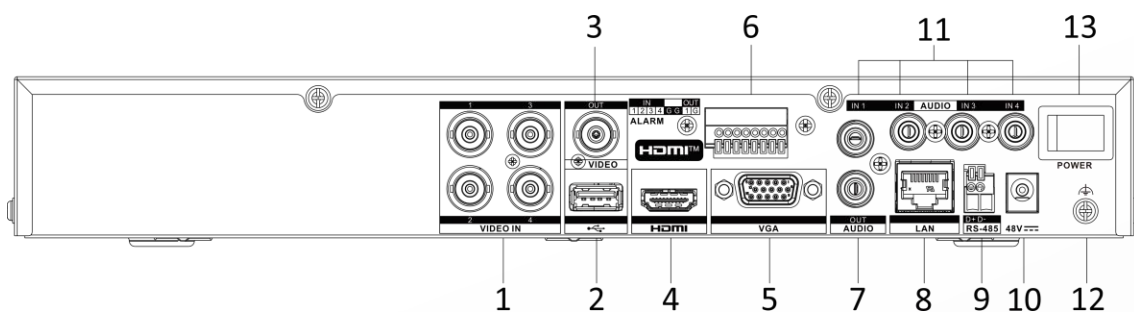
- 4 channels and 1 HDD 1U AcuSense PoC DVR
- Support 2-ch Facial Recognition or 4-ch advanced model Perimeter Protection based on Deep Learning algorithm
- Support 4-ch AcuSearch Technology
- Encoding ability up to 4K/8MP @ 8fps(1-ch); 3K/5MP @ 12fps
- Up to 8 channels IP camera inputs, each channel up to 8MP
- 5 signals input adaptively (HDTVI/AHD/CVI/CVBS/IP)
- Support All channels Motion Detection technology
- Support HDTVI Two-Way Audio technology
- Efficient H.265 pro+ compression technology

▪ Specification

Facial Recognition	
Face Picture Library	Up to 16 face picture libraries
Face Picture Comparison	Face picture comparison, face picture search; 2-ch face picture comparison alarm (HD analog camera)
Perimeter Protection	
Human/Vehicle Analysis	Up to 4-ch
Video and Audio	
IP Video Input	4-ch (up to 8-ch), each up to 8 MP
Analog Video Input	4-ch BNC interface (1.0 Vp-p, 75 Ω), supporting coaxitron connection
PoC Camera Input	Support Hikvision PoC camera
HDMI Output	1-ch, 2K (2560 × 1440)/60Hz, 1920 × 1080/60Hz, 1280 × 1024/60Hz, 1280 × 720/60Hz HDMI/VGA simultaneous output
VGA Output	1-ch, 1920 × 1080/60Hz, 1280 × 1024/60Hz, 1280 × 720/60Hz HDMI/VGA simultaneous output
CVBS Input	PAL/NTSC
CVBS Output	1-ch, BNC (1.0 Vp-p, 75 Ω), resolution: PAL: 704 × 576, NTSC: 704 × 480
Synchronous Playback	4-ch
HDTVI Input	8 MP(3840 × 2160)@12/15 fps, 3K(2960 × 1665)@25/20 fps, 3K(3328 × 1504)@20fps, 5 MP(2560 × 1944)@20 fps, 4 MP(2560 × 1440)@25/30 fps, 1080P@25/30 fps, 720P@25/30fps
AHD Input	5 MP(2560 × 1944)@20 fps, 4 MP(2560 × 1440)@25/30 fps, 1080P@25/30 fps, 720P@25/30fps
HDCVI Input	8 MP(3840 × 2160)@12/15 fps, 3K(2880 × 1620)@25fps, 5 MP(2592 × 1944)@20 fps, 4 MP(2560 × 1440)@25/30 fps, 1080P@25/30 fps, 720P@25/30fps
Audio Output	1-ch, RCA (Linear, 1 KΩ)
Audio Input	4-ch, RCA (2.0 Vp-p, 1 KΩ) , 4-ch via coaxial cable
Two-Way Audio	1-ch, RCA (2.0 Vp-p, 1 KΩ) (using the first audio input)
Recording	
Video Compression	H.265 Pro+/H.265 Pro/H.265/H.264+/H.264
Encoding Resolution	Main stream: 8 MP@8 fps/3K@12 fps/5 MP@12 fps/4 MP@15 fps/8 MP Lite@15 fps/3 MP@18 fps 1080p/720p/WD1/4CIF/VGA/CIF@25 fps (P)/30 fps (N) *: 8 MP@8 fps is only available for channel 1, 8 MP Lite is only available for channel 2 to channel 4. Sub-stream: WD1/4CIF/CIF@25 fps (P)/30 fps (N)
Video Bitrate	32 Kbps to 10 Mbps
Dual-stream	Support main stream or sub stream

Stream Type	Video, Video & Audio
Audio Compression	G.711u
Audio Bitrate	64 Kbps
Network	
Total Bandwidth	96 Mbps
Network Protocol	TCP/IP, PPPoE, DHCP, Hik-Connect, DNS, DDNS, NTP, SADP, NFS, iSCSI, UPnP™, HTTPS, ONVIF
Remote Connection	32
Network Interface	1, RJ45 10/100 Mbps self-adaptive Ethernet interface
Auxiliary Interface	
SATA	1 SATA interface
Capacity	up to 12 TB capacity for each disk
Serial Interface	RS-485 (half-duplex)
USB Interface	Front panel: 1 × USB 2.0; Rear panel: 1 × USB 3.0
Alarm In/Out	4/1
General	
Power Supply	48 VDC, 1.35 A
Consumption	≤ 20 W (without HDD)
Working Temperature	-10 °C to 55 °C (14 °F to 131 °F)
Working Humidity	10% to 90%
Dimension (W × D × H)	319 × 235 × 48 mm (12.6 × 9.3 × 1.9 inch)
Weight	≤ 1.16 kg (2.6 lb)

Physical Interface

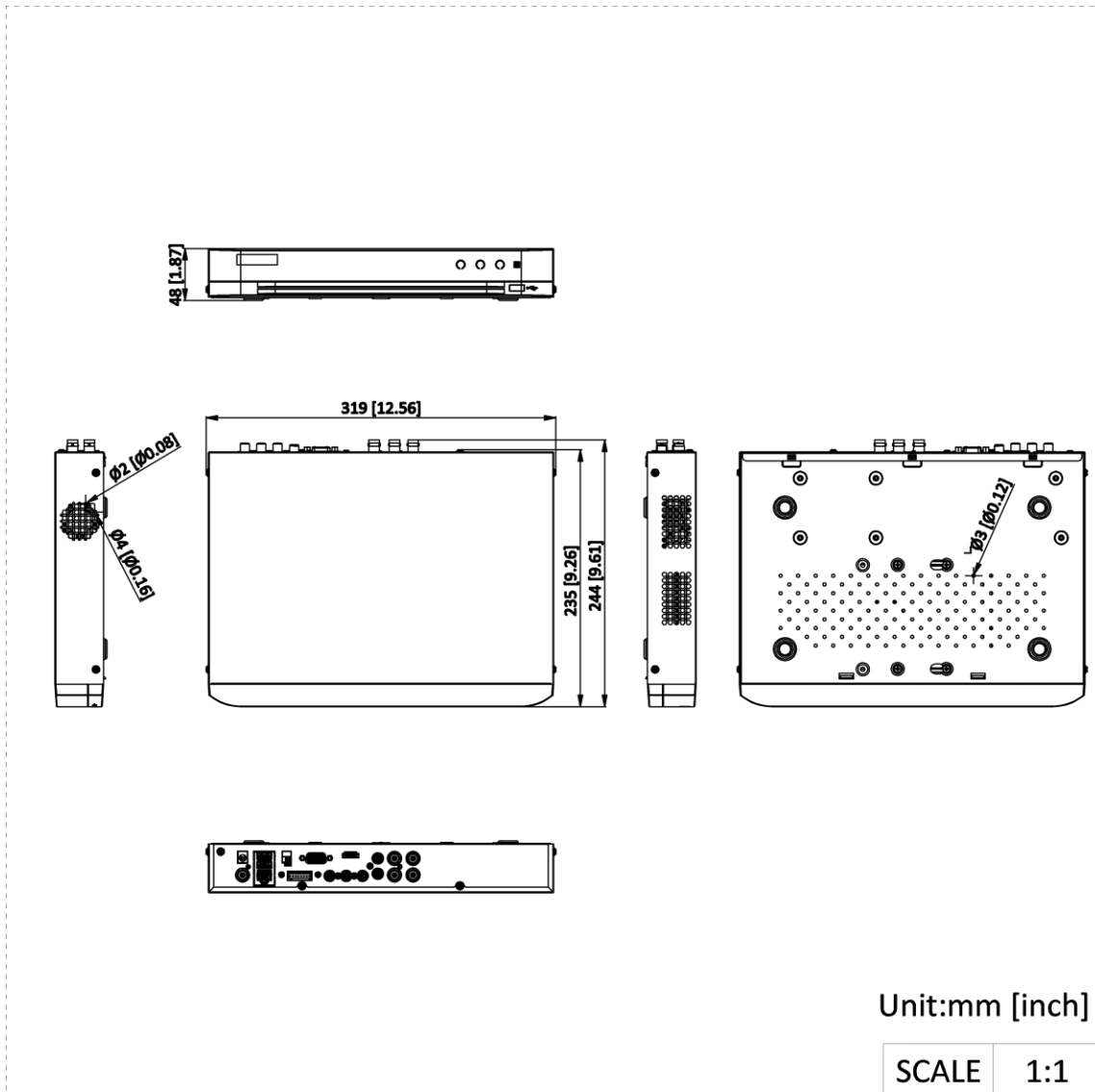


No.	Description	No.	Description
1	Video in	8	LAN network interface
2	USB interface	9	RS-485 interface
3	Video out	10	Power supply
4	HDMI interface	11	Audio in
5	VGA interface	12	GND
6	Alarm in and alarm out	13	Power supply
7	Audio out		

Available Model

iDS-7204HUHI-M1/PXT

▪ Dimension



Appendix

AT/AF Mode

With reference to PoE standards, Hikvision has introduced AT and AF mode for PoC to distinguish the power level of PoC cameras. The maximum operating power of AT and AF are 10 W and 6 W respectively. These two modes are not related to IEEE 802.3 IP standard.

PoC Access Capability

PoC Device	Allowed AT/AF Camera Access
4-ch PoC device	4 AT cameras
8-ch PoC device	8 AT cameras
16-ch PoC device	8 AT cameras + 8 AF cameras Or up to 12 AT cameras

16-ch PoC device is connected to 8 AT cameras through 8 random channels rather than fixed ones. The access scenarios of a 16-ch PoC device are listed in the table below:

AT camera access	12	11	10	9	8	N (0 to 7)
AF camera access	0	2	4	6	8	16-N

See Far, Go Further



www.hikvision.com
support@hikvision.com

