

DS-2CE72KF3T-LE 3K ColorVu PoC Fixed Turret Camera



- High quality imaging with 3K, 2960 × 1665 resolution
- Excellent low-light performance
- 24/7 color imaging with F1.0 aperture
- Clear imaging against strong back light due to 130 dB true WDR technology
- 3D DNR technology delivers clean and sharp images
- 2.8 mm and 3.6 mm fixed focal lens
- Up to 40 m IR distance for bright night imaging
- Up to 40 m white light distance for bright night imaging
- Water and dust resistant (IP67)
- Smart-Hybrid light, optimize your security with flexible lighting options

▪ Specification

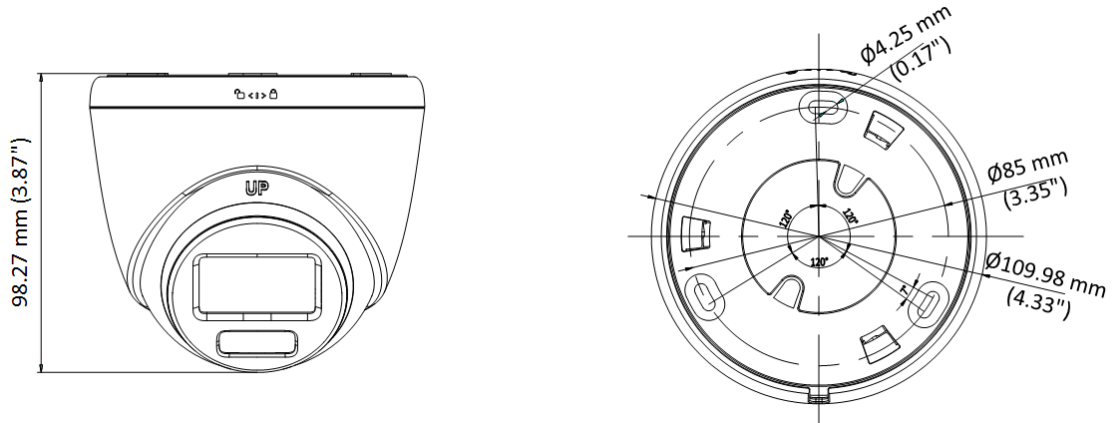
Camera	
Image Sensor	3K CMOS
Signal System	PAL/NTSC
Max. Resolution	2960 (H) × 1665 (V)
Min. Illumination	0.0005 Lux @ (F1.0, AGC ON), 0 Lux with white light
Shutter Time	PAL: 1/25 s to 1/50,000 s; NTSC: 1/30 s to 1/50,000 s
Angle Adjustment	Pan: 0° to 360°, Tilt: 0° to 75°, Rotate: 0° to 360°
Lens	
Lens Type	2.8 mm and 3.6 mm fixed focal lens
Focal Length & FOV	2.8 mm, horizontal FOV: 105°, vertical FOV: 59°, diagonal FOV: 139° 3.6 mm, horizontal FOV: 80°, vertical FOV: 49°, diagonal FOV: 105°
Lens Mount	M12
Illuminator	
Supplement Light Type	Smart, IR, White Light
Supplement Light Range	IR: Up to 40 m, White Light: Up to 40 m
Image	
Day/Night Mode	Auto/Color
Privacy Mask	4 programmable privacy masks/8 programmable privacy masks
Frame Rate	3K @20 fps, 4 MP @25 fps/30 fps, 1080p @25 fps/30 fps
Wide Dynamic Range (WDR)	≥130 dB
Image Parameters Switch	STD/HIGH-SAT/HIGHLIGHT
AGC	Yes
White Balance	Auto/Outdoor/Global/Manual
Image Enhancement	WDR, BLC, HLC, Global, HLS
Noise Reduction	3D DNR/2D DNR
Image Settings	Brightness, Contrast, Mirror, Smart Light, Anti-Banding
Interface	
Video Output	1 HD analog output
Event	
Motion Detection	4 programmable motion areas
General	
Power	12 VDC±25%, max. 7.8 W, PoC.at, *You are recommended to use one power adapter to supply the power for one camera. If a high-impedance cable is used (such as the 18 m extension cable in the kit package), a 15 VDC adapter is required.
Language	English
Operating Condition	-40 °C to 60 °C (-40 °F to 140 °F). Humidity: 90% or less (non-condensing)
Material	Main body: Metal, Enclosure: Plastic
Communication	HIKVISION-C
Dimension	∅109.98 mm × 98.27 mm (∅4.33" × 3.87")
Weight	Approx. 360 g (0.79 lb.)
Approval	
Protection	IP67

▪ **Available Model**

DS-2CE72KF3T-LE(2.8mm)

DS-2CE72KF3T-LE(3.6mm)

▪ **Dimension**



▪ **Accessory**

▪ **Optional**

DS-1272ZJ-110-TRS Wall mount	DS-1275ZJ-SUS Vertical pole mount	DS-1276ZJ-SUS Corner mount	DS-1280ZJ-S Junction box	DS-1281ZJ-S Inclined ceiling mount
				
				
<p>DS-2280ZJ Wall mount</p>				
				



See Far, Go Further



www.hikvision.com
support@hikvision.com

