

# Side Strut

## for UltraDish™ 29 WB

Engineered for strength and durability, this Side Strut is made from lightweight aluminum with corrosion-resistant stainless steel hardware.

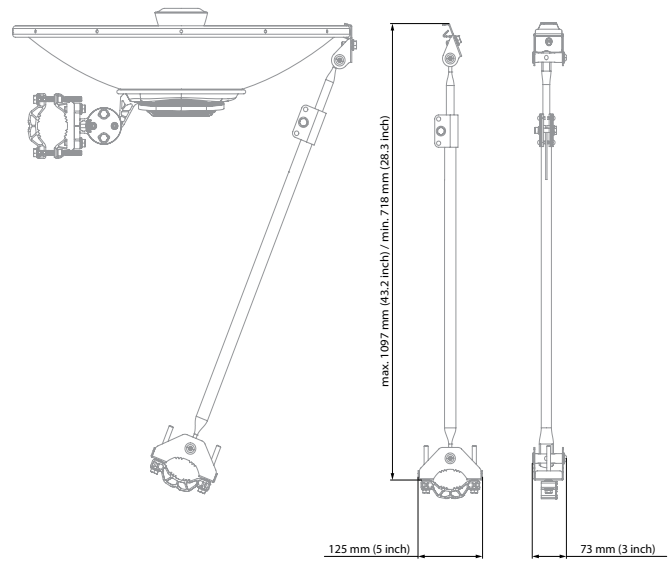
Designed to enhance the stability and performance of your UltraDish™ 29 WB Antenna, it ensures long-lasting reliability even in harsh outdoor condition



### TECHNICAL DATA

Materials	Aluminium, Stainless Steel
Environmental	IP65
Temperature	-40°C to +60°C (-40°F to +140°F)
Pole Mounting Diameter	40-80 mm (1.5-3.1 inch) Recommended as close to 80 mm (3.1 inch) as possible
Mechanical Adjustment	± 20° Elevation, ± 90° Azimuth
Wind Survival	160 km/h (100 mi/h)
Wind Load	371/42 N - Front/Side at 160 km/h (100 mi/h)
Effective Projected Area	3002/281 cm² - Front/Side (465.3/43.5 in²)
Weight	1.22 kg / 2.68 lbs – single unit 1.8kg / 3.96 lbs – single unit incl. package
Dimensions	Retail Box Single unit: 750 x 150 x 90 mm (29.5 x 5.9 x 3.5 inch)

### PRODUCT DIMENSIONS



### COMPATIBLE ANTENNA

UltraDish™ 29 WB (UD29WB)